



# PAC-12 CONFERENCE

360 THIRD STREET, 3RD FLOOR, SAN FRANCISCO, CA 94107  
415.580.4200 // PAC-12.COM

For Immediate Release // Wednesday, May 22, 2019  
Contact // Heather Ward (hward@pac-12.org)

## 2019 PAC-12 CONFERENCE SOFTBALL STANDINGS

	CONFERENCE					OVERALL						
	W	L	PCT	Home	Away	W	L	PCT	Home	Away	Neutral	Streak
UCLA	20	4	.833	9-3	11-1	49	6	.891	21-4	14-1	14-1	L1
Washington	20	4	.833	9-3	11-1	48	7	.873	18-3	15-1	15-3	W10
Arizona	19	5	.792	9-3	10-2	45	12	.789	24-7	16-2	5-3	W4
Arizona State	13	11	.542	7-5	6-6	35	20	.636	23-11	6-8	6-1	L1
Stanford	8	13	.381	5-7	3-6	33	20	.623	18-11	6-6	9-3	W1
Oregon State	8	14	.364	2-8	6-6	26	19	.578	2-8	12-8	12-3	W1
Utah	7	17	.292	5-7	2-10	19	34	.358	5-10	4-13	10-11	L1
California	5	18	.217	2-9	3-9	28	27	.509	7-11	8-11	13-5	L1
Oregon	5	19	.208	2-10	3-9	22	30	.423	4-13	5-11	13-6	L4

### THREE PAC-12 SOFTBALL TEAMS ADVANCE TO NCAA SUPER REGIONALS

► The Pac-12 teams in the 2019 NCAA Softball Championship outscored its opponents 104-46 in the opening round last week and combined for a 12-5 record with No. 2 seed UCLA, No. 3 WASHINGTON and No. 6 ARIZONA advancing to the NCAA Super Regionals. Each team will host an opponent in a best-of-three series to determine who advances to Oklahoma City for the Women's College World Series. STANFORD and ARIZONA STATE each fought in difficult series falling in the Gainesville and Tuscaloosa Regionals, respectfully.

► UCLA will face the only non-seeded team to advance in James Madison (6 p.m. PT; ESPN2), Washington battles No. 14 Kentucky (6 p.m. PT; ESPN2) and Arizona plays No. 11 Ole Miss (4 p.m. PT, ESPN2), beginning on Friday, May 24. Every game of the 2019 NCAA Super Regionals will be broadcast on ESPN across the four days with up to 11 games on ESPN, nine on ESPN2 and four on ESPN2 and all games will also be available on the ESPN App.

► Only five teams have made at least 12 Super Regional appearances since the format change in 2005 and two hail from Pac-12 schools; Alabama (15), Arizona (14), Oklahoma (13), Washington (13) and Florida (12). Seven of the nine-team Pac-12 Conference rank in the top-20 for all-time NCAA Super Regional appearances- No. 2 Arizona (13), No. 3 Washington (12), tied No. 7 UCLA and Oregon (10), tied No. 10 Arizona State (9), tied No. 13 California (7) and No. 18 Stanford (5).

► At least one Pac-12 team has advanced to the WCWS every year since the inaugural tournament in 1982 and five league teams rank in the top-5 for WCWS appearances, including the top three spots with No. 1 UCLA (28), No. 2 Arizona (22), No. 3 Washington (13), and tied at No. 4 with 12 is California and Arizona State, along with Fresno State, Oklahoma and Michigan. UCLA's upcoming opponent James Madison upset No. 15 seed Michigan in the Ann Arbor Regional last week. Five 2018 WCWS All-Tournament Team selections will be action this weekend including UCLA's Rachel Garcia, Bubba Nickles and Taylor Pack and Washington's duo of Gabbie Plain and Sis Bates.

► Pac-12 teams have won 23 of 35 NCAA Softball Championships for the most national titles of any conference behind an NCAA-best five different league teams. Five Pac-12 teams rank in the top seven all-time NCAA Tournament wins: No. 1 UCLA (218), No. 2 Arizona (167), No. 4 Washington (114) No. 5 California (103) and No. 7 Arizona State (95).

### NCAA TOURNAMENT SCHEDULE

#### Washington\* vs. Kentucky - Super Regional

Game 1: Washington vs. Kentucky, Fri., 6 p.m. - ESPN2  
Game 2: Washington vs. Kentucky, Sat., 7 p.m. - ESPN2  
Game 3: Washington vs. Kentucky, Sun. 7 p.m. - ESPN2

#### Arizona\* vs. Ole Miss - Super Regional

Game 1: Ole Miss vs. Arizona, Fri., 4 p.m. - ESPN2  
Game 2: Ole Miss vs. Arizona, Sat., 5 p.m. - ESPN2  
Game 3: Ole Miss vs. Arizona, Sun., 5 p.m. - ESPN2

#### UCLA\* vs. James Madison - Super Regional

Game 1: James Madison vs. UCLA, Fri., 6 p.m. - ESPN2  
Game 2: James Madison vs. UCLA, Sat., 5 p.m. - ESPN2  
Game 3: James Madison vs. UCLA, Sun., 1 p.m. - ESPN2

\*Indicates Host Institution  
All times PT

### NCAA RESULTS

#### Friday, May 17

Arizona 5, Harvard 1  
Arizona State 4, Lipscomb 3  
Boise State 9, Stanford 1  
UCLA 6, Weber State 0  
Washington 2, Fordham 0

#### Saturday, May 18

Arizona 2, Auburn 1  
Alabama 7, Arizona State 4  
Arizona State 10, Lipscomb 1  
Boise State 2, Stanford 0  
Stanford 13, Boston U. 2  
UCLA 9, Missouri 1  
Washington 6, Mississippi State 1

#### Sunday, May 19

Arizona 12, Auburn 3  
Alabama 9, Arizona State 8  
UCLA 13, Missouri 1  
Missouri 5, UCLA 1  
Washington 8, Mississippi State 0

### PAC-12 PLAYERS OF THE YEAR

Pac-12 Player of the Year &  
Pac-12 Pitcher of the Year  
Rachel Garcia, UCLA

Pac-12 Defensive Player of the Year  
Sis Bates, Washington

Pac-12 Freshman of the Year  
Megan Faraimo, UCLA

Pac-12 Coach of the Year  
Jessica Allister, STAN

Pac-12 Batting Champion  
Reyna Carranco, ARIZ

All-Conference Teams cont. pg 5.

PAC-12 IN THE RANKINGS

PAC-12 VS. OTHER CONFERENCES

Atlantic Coast.....	7-6
AAC.....	4-1
Atlantic 10.....	4-0
American East.....	2-0
ASUN.....	2-0
Big South.....	2-0
Big Ten.....	8-8
Big 12.....	10-15
Big West.....	32-4
Big Sky.....	14-4
Colonial Athletic Association.....	5-1
Conference USA.....	4-0
Horizon League.....	1-0
Ivy League.....	3-0
MEAC.....	1-1
MAAC.....	4-0
Mid-American.....	10-1
Missouri Valley.....	8-0
Mountain West.....	10-9
NEC.....	3-0
Ohio Valley.....	1-1
Patriot.....	1-0
Southeastern.....	23-17
Southern.....	2-0
Southland.....	2-0
Summit League.....	4-0
Sun Belt.....	3-3
West Coast.....	20-1
Western Athletic.....	12-2
<b>Total.....</b>	<b>210-81</b>

USA TODAY/NFCA

May 14

	Team	Record*	Points
1	Oklahoma (32)	49-2	800
2	Washington	45-7	762
3	UCLA	46-5	702
4	Florida State	51-8	687
5	Alabama	52-7	686
6	Arizona	42-12	652
7	Louisiana	50-4	593
8	Florida	44-15	553
9	Texas	41-14	515
10	LSU	40-16	494
11	Tennessee	39-14	472
12	Minnesota	41-12	467
13	Oklahoma State	39-14	400
14	Georgia	40-17	387
15	Texas Tech	39-14	336
16	James Madison	47-7	334
17	Ole Miss	37-17	285
18	Northwestern	43-10	235
19	Michigan	43-11	232
20	Arkansas	38-18	195
21	South Carolina	36-17	188
22	Virginia Tech	45-9	147
23	Kentucky	33-22	115
24	Auburn	37-19	72
25	Drake	42-14	57

**RV:** Wisconsin (9), Ohio State (8), Colorado State (7), Boise State (4), UNLV (3), North Carolina (2), **Stanford (1)**

USA SOFTBALL/ESPN.COM

May 14

	Team	Record*	Points
1	Oklahoma (19)	49-2	499
2	Washington (1)	45-7	468
3	UCLA	46-5	451
4	Alabama	52-7	434
5	Florida State	51-8	411
6	Arizona	42-12	407
7	Florida	44-15	374
8	Minnesota	41-12	355
9	Louisiana	50-4	338
10	Texas	41-14	287
11	Michigan	43-11	278
12	Oklahoma State	39-14	274
13	LSU	40-16	264
14	Tennessee	39-14	243
15	James Madison	47-7	213
16	Georgia	40-17	185
17	Northwestern	43-10	173
18	Texas Tech	39-14	164
19	Ole Miss	37-17	147
20	Kentucky	33-22	109
21	Virginia Tech	45-9	105
22	Arkansas	38-18	88
23	Auburn	37-19	53
24	Drake	42-14	49
25	South Carolina	36-17	47

**RV:** North Carolina (18), South Florida (18), Mississippi State (9), Ohio State (9), **Stanford (5)**, Wisconsin (5), **Arizona State (4)**, UNLV (3), Missouri (2), Boise State (1)

WEEK-BY-WEEK RANKINGS

(USA Today/NFCA & USA Softball/ESPN.com)

	ARIZ	ASU	CAL	ORE	OSU	STAN	UCLA	UTAH	WASH
PRE	7/6	12/T12	RV/RV	25/RV	RV/RV	-/-	2/1	-/-	3/2
2/13	9/9	14/16	RV/RV	19/22	RV/RV	-/-	2/1	RV/RV	5/5
2/17	14/13	13/15	RV/RV	17/17	RV/RV	-/-	2/2	-/-	5/5
2/24	12/12	15/17	-/RV	20/20	25/23	-/RV	2/2	-/-	5/6
3/3	12/13	16/17	-/RV	24/24	RV/RV	RV/RV	2/2	-/-	6/6
3/13	12/12	17/19	-/RV	RV/RV	RV/RV	-/RV	1/1	-/-	5/6
3/19	11/10	18/16	-/-	-/-	RV/RV	RV/RV	1/1	-/-	7/8
3/26	11/9	17/13	-/-	-/-	-/-	RV/24	1/1	-/-	7/8
4/2	9/8	21/19	-/-	-/-	-/-	RV/24	1/1	-/-	6/6
4/9	8/6	24/23	-/-	-/-	-/-	RV/25	1/1	-/-	4/4
4/16	7/5	RV/RV	-/-	-/-	-/-	RV/24	2/2	-/-	3/3
4/21	5/4	-/-	-/-	-/-	-/-	RV/RV	2/2	-/-	4/5
4/30	6/4	-/-	-/-	-/-	-/-	RV/RV	2/2	-/-	3/3
5/7	6/6	-/RV	-/-	-/-	-/-	RV/RV	3/2	-/-	2/3
5/14	6/6	-/RV	-/-	-/-	-/-	RV/RV	3/3	-/-	2/2

UCLA VOTED FAVORITE IN SOFTBALL PRESEASON COACHES POLL

**SAN FRANCISCO** - UCLA was voted first in the 2019 Pac-12 Softball Preseason Coaches Poll as announced by the Conference office today. The Bruins garnered 61 points and five first-place votes to sit atop the poll after advancing to the Women's College World Series Championship game last June. WASHINGTON, one of four league teams in the 2018 WCWS, was selected to finish second by a single point garnering 60 points and four first-place votes.

ARIZONA was picked third with 50 points, ARIZONA STATE was selected fourth with 43 points, followed by OREGON STATE and CALIFORNIA in a tie for fifth with 31 points apiece. UTAH tallied 19 points to rank seventh, STANFORD placed eighth with 17 points and OREGON rounded out the poll with 12 points.

Pac-12 teams occupy the top two spots in the ESPN.com/USA Softball preseason poll with No. 1 UCLA and No. 2 Washington. No. 6 Arizona makes the top-10 for its best preseason ranking since 2011 (No. 1) and is joined by No. 12 Arizona State while California, Oregon State and Oregon are receiving votes.

2019 PAC-12 COACHES POLL RESULTS

1.	UCLA (5)	61
2.	Washington (4)	60
3.	Arizona	50
4.	Arizona State	43
T5.	California	31
T5.	Oregon State	31
7.	Utah	19
8.	Stanford	17
9.	Oregon	12

PAC-12 SOFTBALL NOTES

**PAC-12 IN POSTSEASON:** No. 2 UCLA looks to advance to its fifth-straight Women's College World Series after winning the Los Angeles Regional. The Bruins opened their postseason run with a combined no-hitter from redshirt junior **Rachel Garcia**, who struck out 13 batters in six innings, and sophomore **Holly Azevedo's** pair of strikeouts in the final inning to defeat Weber State, 6-0, on Friday. The Bruins continued to dominate the plate, besting Missouri, 9-1, with three home runs and a grand slam. In the winner take all match on Sunday, UCLA earned a triumphant 13-1, five-inning victory to advance to the supers. Junior **Bubba Nickles** made a huge impact, recording a pair of five-RBI games, which matched her single-game career high and went 7-for-15 (.467) at the plate with a pair of homers, 11 RBI, six runs and four doubles in four games.

UCLA ranks in the top-10 of nine different statistical categories, including six in the top-5 featuring the No. 2 ERA (1.39) and batting average (.345) in the nation. The Bruins also rank fifth in scoring (7.02) behind Nickles' fifth-most RBIs (69). The Bruins will look to rely on Garcia to get past offensive-minded James Madison. Garcia ranks second in the nation in ERA (1.02), third in strikeouts per seven innings (10.6), fourth in strikeout-to-walk ratio (7.68) and eighth in hits allowed per seven innings (3.87).

No. 3 Washington breezed through regional action, collecting two shutouts and wins over Fordham (2-0) and Mississippi State (6-1, 8-0) while conceding only one run over three games. The Huskies are now 33-1 when hosting NCAA Regional games with head coach **Heather Tarr's** at the helm, including 28 consecutive wins in the Seattle Regional opening series. The Huskies advanced to the Super Regionals in historic fashion, as star pitcher **Gabbie Plain** threw the sixth postseason no-hitter in program history over Mississippi State (8-0) on Sunday. She joins teammate **Taran Alvelo**, who threw UW's last postseason no-hitter in the 2017 NCAA Regionals against Montana (8-0).

Plain notched her third no-no this season and fourth of her career after tallying 10 strikeouts and allowing only one walk in the victory. Plain also became the first Husky with double-digit strikeouts in a postseason game since 2013 (Bryana Walker) after scorching 14 batters in the series opener against Fordham. The sophomore from Harrington Park, Australia tied the school record for postseason strikeouts in a game of seven or fewer innings and now owns a 0.66 ERA in postseason play.

**Morganne Flores** jump-started the Husky offense, recording three home runs over the weekend and tallying her seventh career postseason homer to become the eighth Husky ever to hit 40 homers in their career. Flores, a redshirt junior, knocked two out of the park in game two against Mississippi State and is now the only Husky in school history with multiple two-homer postseason games. Alvelo recorded a compete-game victory over Mississippi State (6-1) on Saturday with eight strikeouts to collect her 25th win this season.

Washington is one of the most dangerous pitching teams in the country, ranking second nationally in strikeout-to-walk ratio (5.79) behind pitching duo Plain and Alvelo that rank Nos. 8 (6.63) and 12 (6.23), respectively. UW owns the third-best fielding percentage (.980) and fifth-best ERA (1.38) in the country and will match up against Kentucky's No. 9 ranked scoring offensive (6.57). The Huskies defeated Kentucky, 4-2, earlier this season in the Mary Nutter Classic on Feb. 22.

Arizona defended home turf and swept the Tucson Region for the third-straight season, marking its third time accomplishing the feat since 2005 (2010-2012; 2005-2007). The powerhouse hitters took down Harvard (5-1) and topped No. 24 Auburn (2-1, 12-3) to advance to the NCAA Super Regionals for the 14th time in the last 15 years. The Wildcats have more championship experience than most of the NCAA field, winning eight national titles, the second most in NCAA history and making an additional five Women's College World Series Championship Series appearances. Arizona is looking to advance to its 23rd WCWS and first since 2010.

**Jessie Harper** led Arizona's explosive offense in its regional-clinching match, blasting three home runs and collecting 14 total bases for the most in Arizona history and the most in a single game in NCAA Tournament history. Harper went 5-for-5, with three runs scored and five RBIs while 2018 All-American **Alyssa Palomino-Cardoza** hit another homer and drove in four runs. **Taylor McQuillin** pitched all 14 innings of the first two wins, tallying 13 strikeouts, seven hits and allowing only two earned runs in the complete games. McQuillin ranks fourth among league pitchers in ERA (1.54) and hits allowed per seven innings (4.56) and ranks 14th nationally with 10 shutouts.

Arizona ranks seventh in scoring (6.72), eighth in ERA (1.61), ninth in batting average (.324) and ninth in fielding percentage (.946). The Wildcats have been hitting it out of the park this season as Harper leads the country in home runs (28) and Dejah Mulipola ranks ninth (21) while Palomino trails with 16.

COACHING RECORDS

<b>Coach</b> .....	Years (Record)
Mike Candrea, ARIZ.....	33 (1,563-404-2)
Trisha Ford, ASU.....	2 (80-37)
Diane Ninemire, CAL.....	30 (1,317-649-1)
Missy Lombardi, ORE.....	1st Season
Laura Berg, OSU.....	6 (166-156-1)
Jessic Allister, STAN.....	1 (24-31)
Kelly Inouye-Perez, UCLA.....	12 (544-166-1)
Amy Hogue, UTAH.....	11 (317-275-1)
Heather Tarr, WASH.....	14 (584-235-1)

*\*Only Division I records included*

SOFTBALL CONTACTS

<b>ARIZONA</b> .....	<a href="http://www.arizonawildcats.com">www.arizonawildcats.com</a> Danny Martinez danny89@email.arizona.edu (520) 621-4163
<b>ARIZONA STATE</b> .....	<a href="http://www.thesundevels.com">www.thesundevels.com</a> Mark Jezek Mark.jezek@asu.edu (254) 780-6485
<b>CALIFORNIA</b> .....	<a href="http://www.calbears.com">www.calbears.com</a> Akilah Laster akilah@berkeley.edu (510) 642-6895
<b>OREGON</b> .....	<a href="http://www.goducks.com">www.goducks.com</a> Nate Krueger nkrueger@uoregon.edu 541-346-5475
<b>OREGON STATE</b> .....	<a href="http://www.osubeavers.com">www.osubeavers.com</a> Valerie Johnson Valerie.Johnson@oregonstate.edu (712) 269-4149
<b>STANFORD</b> .....	<a href="http://www.gostanford.com">www.gostanford.com</a> Tyler Geivett tgeivett@stanford.edu (650) 313-9338
<b>UCLA</b> .....	<a href="http://www.uclabruins.com">www.uclabruins.com</a> James Ybiernas jamesy@athletics.ucla.edu (310) 206-8123
<b>UTAH</b> .....	<a href="http://www.utahutes.com">www.utahutes.com</a> Drew Wiseman dwiseman@huntsman.utah.edu (801) 581-3771
<b>WASHINGTON</b> .....	<a href="http://www.gohuskies.com">www.gohuskies.com</a> Matt Swanson swansm4@uw.edu (253) 740-3830
<b>PAC-12</b> .....	<a href="http://www.pac-12.org">www.pac-12.org</a> Heather Ward hward@pac-12.org (415) 549-4850

PAC-12 SOFTBALL ONLINE

Twitter: [@pac12](https://twitter.com/pac12)  
Facebook: [fb.com/Pac12ConfeRence](https://fb.com/Pac12ConfeRence)  
Instagram: [@pac12conference](https://instagram.com/pac12conference)

Softball Media Center:  
<http://pac-12.com/content/media>

The Wildcats continue to have home field advantage and welcomes Ole Miss, who defeated Southeast Missouri and Louisiana to earn the Rebels second Super Regional berth in program history.

Arizona extended its postseason streak to 33 consecutive appearances, the longest active streak in the country and longest all-time streak in the NCAA history, dating back to 1987 when head coach **Mike Candrea** was in his second year. On April 19, head coach Candrea joined Michigan's Carol Hutchins as the only two coaches in NCAA softball history to reach 1,600 career wins and he became the fastest coach of any sport in any division in NCAA history to reach the milestone. Candrea is an 11-time Pac-12 Coach of the Year honoree, was inducted to the NFCA Hall of Fame in 1996 and coached the U.S. team that won gold at the 2004 Athens Games.

ARIZONA STATE and STANFORD received at-large bids in the 64-team field, marking the 24th-straight season that five or more Conference teams have participated in the NCAA Championship.

Arizona State made its 31st NCAA Tournament appearance and started its postseason run with a 4-3 victory over Lipscomb behind **Jade Gortarez** game-winning homer at the bottom of the sixth. ASU dropped its next match to host Alabama, 4-7, and stayed alive with a dominant 10-1 win over Lipscomb in the consolation bracket. The Sun Devils were eliminated in the Tuscaloosa Regional Final on Sunday afternoon in a back-and-forth battle that was tied 5-5 in the fifth inning and knotted again at 8-8 in the sixth before the Crimson Tide slid away with a 9-8 victory.

Stanford made its 17th all-time NCAA appearance and first since 2013 under Pac-12 Coach of the Year, **Jessica Allister**. Stanford struggled in the first match against Boise State (9-1) and responded to defeat Boston University (13-2) behind Montana Dixon's three RBIs. The Cardinal couldn't fight off another elimination game and dropped a 2-0 decision to Boise State to close out the 2019 NCAA postseason. The Cardinal has reached the Super Regionals five times in program history and twice made the Women's College World series with the last time coming in 2004.

**PAC-12 CO-CHAMPIONS:** The final week of the regular season highlighted the Conference's talent and proved critical for the 2019 season as it ultimately determined the Pac-12 Champions the day before the NCAA Selection Show. UCLA competed in a hard-fought series against Arizona (3-5, 5-4, 1-3) and clinched the program's 10th Conference crown after winning game two on Friday. The Bruins finished the regular season at 46-5 overall and 20-4 in league play. Washington thrived under pressure, as the Huskies needed all three wins to remain in contention for the title and took care of business, sweeping Stanford (5-2, 8-0, 3-0) to win its fourth all-time Pac-12 title and first since 2010. The Huskies went 45-7 overall and reached the magic 20-4 league threshold.

## PAC-12 IN NCAA TOURNAMENT

School	WCWS				Place			NCAA			
	App.	W	L	Last Time	1st	2nd	3rd	App.	W	L	Last Time
Arizona	22	61	32	2010	8	5	4	32	167	63	2018
Arizona State	12	18	20	2018	2	0	3	30	95	58	2018
California	12	21	22	2012	1	2	3	33	103	72	2018
Oregon	6	7	11	2018	0	0	1	20	71	43	2018
Oregon State	1	0	2	2006	0	0	0	14	32	29	2018
Stanford	2	4	4	2004	0	0	1	17	41	36	2013
UCLA#	29	98	37	2018	11	7	3	34	218	58	2018
Utah	3	1	6	1994	0	0	0	15	25	33	2017
Washington	13	27	23	2018	1	3	4	25	114	51	2018
<b>Totals</b>	<b>101</b>	<b>233</b>	<b>152</b>		<b>23</b>	<b>17</b>	<b>20</b>	<b>220</b>	<b>866</b>	<b>443</b>	

*# Participation in 1995 vacated by NCAA Committee on Infractions*

### NCAA CHAMPIONSHIPS

1. **UCLA**.....11
2. **ARIZONA** .....8
3. Oklahoma .....4
4. **ARIZONA STATE**.....2
- Texas A&M.....2
- Florida .....2
7. **CALIFORNIA** .....1
- WASHINGTON**.....1
- Cal State Fullerton.....1
- Fresno State.....1
- Michigan.....1
- Alabama .....1
- Florida State.....1

### NCAA TOURNAMENT WINS

1. **UCLA** .....218
2. **Arizona** .....167
3. Oklahoma .....117
4. **Washington** .....114
5. **California** .....103
6. Michigan .....98
7. **Arizona St.** .....95
8. Alabama .....92
9. Fresno St. ....91
10. Florida .....86
11. Texas A&M .....84
11. Florida St. ....84
13. Louisiana .....76
14. LSU .....75
15. **Oregon** .....71

### WCWS WINS

1. **UCLA**.....98
2. **ARIZONA** .....61
3. Fresno State.....30
4. Oklahoma .....29
5. **WASHINGTON**.....27
6. Florida .....26
7. **CALIFORNIA** .....21
- Texas A&M.....21
9. **ARIZONA STATE**.....18
10. Alabama .....17
11. Cal State Fullerton.....16
- Tennessee.....15
13. Michigan.....14
- Florida State.....14
15. Oklahoma State.....11
- LSU .....11
17. Nebraska .....9
- Northwestern .....8
19. Texas .....7
- Oregon**.....7
21. Auburn .....6
- Georgia .....6
- Louisiana-Lafayette .....6
24. Baylor .....5
- Cal Poly Pomona.....5
- Iowa.....5
- LIU Brooklyn.....5
- Long Beach State.....5

### ALL-TIME WCWS APPEARANCES

1. **UCLA** .....28
2. **Arizona** .....22
3. **Washington** .....13
4. Fresno St. ....12
4. **California** .....12
4. **Arizona St.** .....12
4. Oklahoma .....12
4. Michigan .....12
9. Alabama .....11
10. Florida St. ....10
11. Florida .....9
12. Texas A&M .....8
13. Nebraska .....7
13. Oklahoma St. ....7
13. **Oregon** .....7
13. Tennessee .....7
17. Cal St. Fullerton .....6
17. Louisiana .....6
17. LSU .....6
17. Missouri .....6

### Consecutive NCAA Tournament Appearances

1. **Arizona** .....32 (1987-present)
2. Fresno St. ....30 (1982-2011)
3. **California** .....28 (1986-2013)
4. Oklahoma .....25 (1994-present)
4. **Washington** .....25 (1994-present)
6. Michigan .....24 (1995-present)
7. **UCLA** .....20 (1999-present)
7. Alabama .....20 (1999-present)
7. Louisiana .....20 (1999-present)
7. Notre Dame ...20 (1999-present)
11. Florida St. ....19 (2000-present)
12. Georgia .....17 (2002-present)
12. Texas A&M ..17 (2002-present)
14. **Stanford** .....16 (1998-2013)
14. Massachusetts 16 (1995-2010)
14. Florida .....16 (2003-present)
17. Cal St. Fullerton 15 (1982-1996)
18. Louisville .....14 (2004-present)
18. **Arizona St.** 14 (2005-present)
18. BYU .....14 (2005-present)
21. Nebraska .....13 (1995-2007)
21. **UCLA** .....13 (1982-1994)

PAC-12 PLAYERS OF THE YEAR

**Pac-12 Player of the Year & Pac-12 Pitcher of the Year – Rachel Garcia, Jr., P, UCLA (Palmdale, Calif.)**

Garcia earns back-to-back Pac-12 Player of the Year honors and was named the 2019 Pac-12 Pitcher of the Year while leading UCLA to a 45-3 overall record and 19-2 league mark heading into the final weekend of the regular season. Garcia is the first player in Conference history to win both Player and Pitcher of the Year in the same season. The Bruins topped the USA Today/NFCA Coaches Poll for five-straight weeks and have maintained a top-3 ranking throughout the year. Garcia received four Pac-12 Pitcher of the Week honors this season, including winning both Player and Pitcher of the Week on March 19 when she also collected Louisville Slugger/NFCA DI National Player of the Week honors. Garcia becomes the 16th all-time Bruin to receive the Pac-12 Player of the Year recognition. The Palmdale, Calif., native notched her third and fourth yearly awards after being selected Pac-12 Freshman of the Year in 2017 and Pac-12 Pitcher of the Year in 2018, and is a three-time All-Pac-12 First Team selection.

The reigning USA Softball Collegiate Player of the Year has been selected as one of 26 finalists for the 2019 honor. Garcia has recorded either a win (20) or a save (2) in 22 of her 23 pitching appearances and has posted nine double-digit strikeout games, including a season-high of 15. While starting 47 games, she has reached base in 24 of her last 25 games, owns the sixth-best batting average on the team (.348), has hit eight home runs with 40 RBIs. Garcia is majoring in history and leads the Conference in ERA (0.71), strikeout-to-walk ratio (7.92) and hits allowed per seven innings (3.78) which also rank second, fifth and ninth, respectively, in the country. Her impressive list of credentials also touts a 2019 Honda Sport Award and NFCA and ESPNW National Player of the Year awards from last season.

**Pac-12 Defensive Player of the Year – Sis Bates, Jr., INF, Washington (Ceres, Calif.)**

Bates is tabbed the Pac-12 Defensive Player of the Year for the second-straight season after leading current No. 2 nationally ranked Washington to a 42-7 overall mark and 17-4 Conference record entering the regular-season finale. Bates is a three-time All-Pac-12 honoree along with being selected to the Pac-12 All-Freshman Team in 2017 and earns UW's fourth all-time defensive nod. The junior owns the fewest errors of any middle infielder in the Pac-12 and the highest career fielding percentage of any shortstop in Washington history (.980). Bates is the only player in the Pac-12 with at least 30 putouts and 30 assists accompanied by fewer than four errors as she has committed one error in 41 league games over the last two years. The social science major has started all 49 games and leads all league players with a .485 batting average during Conference action. Bates is also the Huskies' leader offensively, registering a .395 overall batting average to go along with 50 runs scored, 90 assists, and 62 hits. Her 203 career hits are the second-most of any active Pac-12 player, behind only California's Lindsay Rood (251 hits), and she became the sixth Husky in program history with 200+ hits in their first three seasons. The returning NFCA All-American First Team member has been selected as a finalist for the USA Softball Collegiate Player of the Year award.

**Pac-12 Freshman of the Year - Megan Faraimo, Fr., P. UCLA (Vista, Calif.)**

Faraimo has collected 15 victories this season, the sixth-most in the Conference, to become the third-straight Bruin to win Pac-12 Freshman of the Year (Rachel Garcia, 2017; Aaliyah Jordan, 2018) and the eighth all-time. The freshman has guided UCLA to a league-leading 19-2 record and the brink of its 10th all-time Conference title with only one three-game series remaining. Faraimo boasts the second-best ERA in the Conference (1.31), which ranks 17th nationally and fifth among freshman. The 2019 Schutt Sports/NFCA Freshman of the Year top-25 candidate became the first Bruin to throw two no-hitters in the same season since 2015 including the first UCLA freshman to accomplish the feat since 2005. Faraimo is a member of the All-Conference First Team and All-Freshman Team after collecting five Pac-12 Freshman of the Week honors this year.

**Pac-12 Coach of the Year – Jessica Allister, Stanford**

In her second season at the helm, Allister has guided Stanford to a 32-15 overall record for the program's most wins in a season since 2013 (39-21) and to an 8-10 Pac-12 mark. The Cardinal enters the last weekend of the regular season in fourth place in the league standings after being picked to finish eighth in the Pac-12 Coaches Preseason Poll. The Cardinal opened Pac-12 play with a 7-2 record for its best start since the 2005 team started 8-2 and went on to claim a share of the Conference title. Stanford has surpassed its overall (24) and Pac-12 (3) win totals from 2018 while its eight Conference wins are more than the previous four years combined (7). Allister also led Stanford to a 12-game win streak, the program's longest since the 2014 season opened 13-0. Allister was a four-year starting catcher on The Farm and made NCAA Women's College World Series appearances in 2001 and 2004. A Second Team All-American in 2004 and three-time All-Conference selection, Allister holds the Stanford record for career games (266).

PAC-12 ALL-CONFERENCE HONORS

FIRST TEAM	Yr.	Pos.	School	Yr.	Pos.	School	Yr.	Pos.	School	Yr.	Pos.	School
Taran Alvelo	Sr.	P	WASH	Jordan Dail	So.	LHP	ORE	Kelli Godin	Fr.	LF/3B	UCLA	
Sis Bates	Jr.	INF	WASH	Ally Dickman	Sr.	OF	UTAH	Maddi Hackbarth	Jr.	C	ASU	
Reyna Carranco	Jr.	INF	ARIZ	Kamalani Dung	Sr.	RHP	CAL	Jessie Harper	Jr.	INF	ARIZ	
Megan Faraimo	Fr.	P	UCLA	Maddi Hackbarth	Jr.	C	ASU	Dejah Mulipola	Jr.	C	ARIZ	
Morganne Flores	Jr.	C	WASH	Kristina Inouye	Jr.	3B	STAN	Alyssa Palomino	Jr.	OF	ARIZ	
Rachel Garcia	Jr.	P/1B	UCLA	Malia Martinez	Jr.	INF	ARIZ	Briana Perez	So.	SS	UCLA	
Kelli Godin	Fr.	LF/3B	UCLA	Mariah Mazon	So.	P	OSU	Jasmine Sievers	Fr.	INF	ORE	
Kindra Hackbarth	Jr.	OF	ASU	Shelby Weeks	Sr.	OF	OSU					
Jessie Harper	Jr.	INF	ARIZ					<b>ALL-FRESHMAN TEAM</b>	<b>YR.</b>	<b>POS.</b>		
Morgan Howe	Sr.	OF	ASU	<b>THIRD TEAM</b>	<b>Yr.</b>	<b>Pos.</b>	<b>School</b>	<b>SCHOOL</b>				
Aaliyah Jordan	So.	DP	UCLA	Taryn Atlee	Jr.	INF	WASH	Yannira Acuna	Fr.	OF	ASU	
Taylor McQuillin	Sr.	P	ARIZ	Allee Bunker	Fr.	UT	ORE	Allee Bunker	Fr.	UT	ORE	
Dejah Mulipola	Jr.	C	ARIZ	Haley Cruise	Jr.	OF	ORE	Rachel Cid	Fr.	INF	ORE	
Bubba Nickles	Jr.	CF	UCLA	Alyssa Denham	Jr.	P	ARIZ	Silentrain Espinoza	Fr.	INF	WASH	
Taylor Pack	Sr.	3B/C/1B	UCLA	Jade Gortarez	Jr.	INF	ASU	Megan Faraimo	Fr.	P	UCLA	
Alyssa Palomino	Jr.	OF	ARIZ	Carolyn Lee	Sr.	P	STAN	Kelli Godin	Fr.	LF/3B	UCLA	
Briana Perez	So.	SS	UCLA	Skylar McCarty	Sr.	OF	ASU	Frankie Hammoude	Fr.	INF	OSU	
Gabbie Plain	So.	P	WASH	Julia Noskin	So.	OF	UTAH	Maia Rader	Fr.	INF	OSU	
Lindsay Rood	Sr.	INF	CAL	Sami Reynolds	Fr.	OF	WASH	Sami Reynolds	Fr.	OF	WASH	
Jasmine Sievers	Fr.	INF	ORE	Emily Young	Fr.	SS	STAN	Emily Schultz	Fr.	DP	STAN	
				<b>ALL-DEFENSIVE TEAM</b>	<b>YR.</b>	<b>POS.</b>		Jasmine Sievers	Fr.	INF	ORE	
<b>SECOND TEAM</b>	<b>Yr.</b>	<b>Pos.</b>	<b>School</b>	<b>SCHOOL</b>				Makena Smith	Fr.	C	CAL	
Alyssa Barrera	Jr.	OF	UTAH	Sis Bates	Jr.	INF	WASH	Colleen Sullivan	Fr.	C/1B	UCLA	
Teaghan Cowles	Jr.	OF	STAN	Reyna Carranco	Jr.	INF	ARIZ	Emily Young	Fr.	SS	STAN	

PAC-12 PLAYERS OF THE WEEK

**PLAYER OF THE WEEK: Alyssa Palomino, Jr., OF, Arizona (Mission Viejo, Calif.)**  
**3 GP, 3 hits, 1 HR, 2 RBIs, .375 AVG, .750 SLG**

- Recorded three hits and a pair of RBIs for a .375 batting average last week to lead Arizona to its first series win over No. 3 UCLA since 2011 (5-3, 4-5, 3-1).
- Opened the series with an outstanding performance, including a two-run homer that proved to be the game-winner in the top of the seventh inning.
- Was equally impressive in the field, making a diving catch on the warning track to help stop the Bruins' late push and lock down a 5-3 victory for the Wildcats.
- Scored three runs and recorded a .500 on base percentage against UCLA's pitching talents that rank in the top-5 nationally in ERA and strikeout-to-walk ratio.
- Picks up her first-career Pac-12 Player of the Week nod for Arizona's 170th all-time weekly honor.

**PITCHER OF THE WEEK: Gabbie Plain, So., P, Washington (Harrington Park, Australia)**  
**2 wins, 7.1 IP, 13 K, 0 BB 0.00 ERA**

- Dominated the mound last week, throwing two shutouts and a complete game against Stanford (8-0, 3-0) to help Washington win a share of the Pac-12 softball title, marking its first Conference crown since 2010.
- The Huskies needed all three wins to remain in contention for the league title and Plain delivered in the circle, throwing her 30th career complete game and ninth shutout of the season with 13 strikeouts.
- Earned her fourth save of the year for the second-most in the Pac-12, after tossing four strikeouts in 2.1 scoreless innings to become Pac-12 Co-Champions on Saturday.
- On Friday, struck out the side in the first inning and then retired nine-straight batters while allowing only two base runners for Washington's seventh Pac-12 series victory.
- Has not walked a batter in three-straight appearances and surpassed her strikeout total from last year, reaching 194 on the season to rank 12th nationally in strikeout-to-walk ratio (6.26).
- The Pre-Science major was recently named CoSIDA Academic All-District and collects her third Pac-12 Pitcher of the Week honor this season (March 12, April 15) for Washington's 110th all-time weekly nod.

**FRESHMAN OF THE WEEK: Sami Reynolds, Fr., OF, Washington (Snohomish, Wash.)**  
**3 GP, 5 hits, 1 HR, 2 2B, 6 RBI, .500 AVG, 1.000 SLG**

- Guided Washington to its fourth all-time Pac-12 title after defeating Stanford (5-2, 8-0, 3-0) for its sixth Conference series-sweep this year.
- Became the first Husky freshman in over a decade with three extra-base hits in single game, including a two-run homer, in Washington's championship-clinching win on Saturday.
- Was a key offensive component in the Huskies crucial series, hitting her season-best two doubles and fourth home run of the year.
- Has connected at the plate consistency in the stretch run with hits in six of last seven games, including six multi-RBI games in the last ten.
- First Pac-12 Freshman of the Week honor, but collects back-to-back weekly Conference honors after being tabbed Pac-12 Player of the Week (May 6).

	PLAYER	PITCHER	FRESHMAN
Feb. 12	Missy Nunes, OSU	Rachel Garcia, UCLA	Rachel Cid, ORE
Feb. 19	Kindra Hackbarth, ASU	Rachel Garcia, UCLA	Megan Faraimo, UCLA
Feb. 26	Shaye Bowden, ORE	Rachel Garcia, UCLA	Megan Faraimo, UCLA
March 5	Teaghan Cowles, STAN	Taylor McQuillin, ARIZ	Emily Young, STAN
March 12	Lindsay Rood, CAL	Gabbie Plain, WASH	Megan Faraimo, UCLA
March 19	Rachel Garcia, UCLA	Rachel Garcia, UCLA	Kelli Godin, UCLA
March 25	Maddi Hackbarth, ASU	Alyssa Denham, ARIZ	Kelli Godin, UCLA
April 1	Teaghan Cowles, STAN	Taylor McQuillin, ARIZ	Megan Faraimo, UCLA
April 8	Taylor Pack, UCLA	Jordan Dail, ORE	Megan Faraimo, UCLA
April 15	Bubba Nickles, UCLA	Gabbie Plain, WASH	Madison Huskey, WASH
April 22	Bubba Nickles, UCLA	Jordan Dail, ORE	SilentRain Espinoza, WASH
April 29	Morgan Howe, ASU	Mariah Mazon, OSU	Maia Rader, OSU
May 6	Sami Reynolds, WASH	Taran Alvelo, WASH	Rachel Cid, ORE
May 13	Alyssa Palomino, ARIZ	Gabbie Plain, WASH	Sami Reynolds, WASH

**SENIOR CLASS AWARD:** Washington pitcher **Taran Alvelo** has been named 1-of-10 finalists for the Senior CLASS Award. Alvelo leads the Pac-12 in strikeouts (172) and victories (15) and ranks second in shutouts (5). Her 2.09 career ERA is the seventh-lowest in UW history while the American Ethnic Studies major is a three-time All-Pac-12 honoree and was a 2018 second team All-America selection.

**RETURNING ALL-AMERICANS:** Six NFCA D-I All-America team members are returning for the 2019 season, including the NFCA Player of the Year in UCLA pitcher **Rachel Garcia**. Four first-team selections headline Pac-12 rosters with Arizona's **Alyssa Palomino**, Washington's **Sis Bates**, and the UCLA duo of Garcia and **Aaliyah Jordan**. The Huskies lead all league teams with three total returning All-Americans including second-team member **Taran Alvelo** and third-team honoree **Gabbie Plain**.

**WATCH LISTS:** Twelve Pac-12 student-athletes appear on the USA Softball Top 50 Collegiate Player of the Year Watch List for the second most of any Conference (SEC-13). Arizona and Washington lead all institutions with four representatives each, while UCLA is tied for the second most (Florida, Oklahoma) with three players on the Watch List. Reigning Player of the Year, UCLA pitcher **Rachel Garcia**, highlights the list.

**PAC-12 MEDIA INFORMATION**

» **MEDIA DISTRIBUTION LIST**

Media members may request to receive Pac-12 News, Press Releases and Weekly Releases via email (hward@pac-12.org).

» **WEEKLY RELEASES**

Pac-12 Weekly Releases will be available at the Conference's official website at www.pac-12.com every Tuesday afternoon. Weekly releases include the Pac-12 Players of the Week, updated Conference statistics, the latest polls and conference and team notes. Updated stats will be available on www.pac-12.com following each night of competition.

» **PLAYERS OF THE WEEK**

A Pac-12 Player of the Week, Pitcher of the Week and Freshman of the Week are selected throughout the regular season from nominations submitted by each school's media relations office.

» **AWARDS AND HONORS**

The Pac-12 names a 20-member All-Pac-12 team, a nine-player All-Defensive Team, a 14-player All-Freshman Team, a Player of the Year, Pitcher of the Year, Freshman of the Year, Defensive Player of the Year, and Coach of the Year. The award winners are nominated and voted upon by the Pac-12 head coaches. The Pac-12 also recognizes a Batting Champion, which is awarded to the player with the highest batting average through the regular season. The honorees will be announced in a press release at the end of the regular season.



2019 NCAA Division I

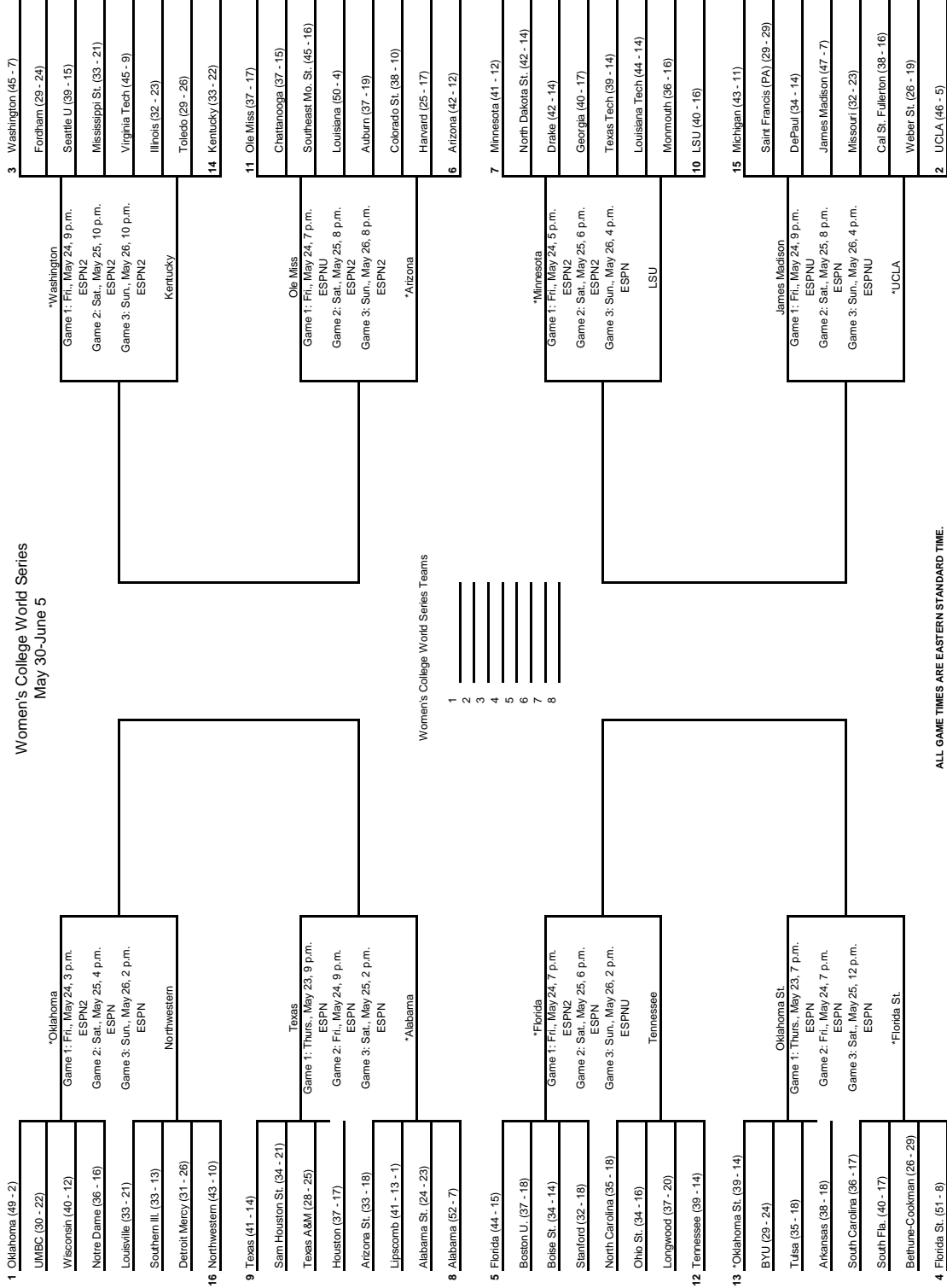
# SOFTBALL CHAMPIONSHIP

REGIONALS  
May 17-19

SUPER  
REGIONALS

SUPER  
REGIONALS  
May 23-26

REGIONALS  
May 17-19



ALL GAME TIMES ARE EASTERN STANDARD TIME.  
All ESPN games are also available on the ESPN app.

2019 Pac-12 Softball  
Pac-12 Batting Leaders (as of May 20, 2019)  
(All games)

Hitting minimums - 75% of Games 2.5 TPA/Game  
Pitching minimums - 1.0 IP/Game

Batting avg		Slugging pct		On base pct	
1. UCLA	.345	1. Arizona State	.606	1. UCLA	.421
2. Arizona	.324	2. Arizona	.583	2. Arizona State	.419
3. Arizona State	.318	3. UCLA	.547	3. Arizona	.406
4. Washington	.301	4. Washington	.448	4. Washington	.388
5. California	.285	5. Utah	.431	5. Stanford	.367
6. Utah	.276	6. Stanford	.425	6. Oregon	.365
7. Stanford	.276	7. Oregon	.411	7. Utah	.357
8. Oregon	.265	8. California	.402	8. California	.351
9. Oregon State	.258	9. Oregon State	.381	9. Oregon State	.333
Runs scored		Hits		Runs batted in	
1. Arizona State	411	1. UCLA	509	1. Arizona State	378
2. UCLA	386	2. Arizona	492	2. Arizona	361
3. Arizona	383	3. Washington	443	3. UCLA	354
4. Washington	305	4. Arizona State	436	4. Washington	276
5. California	259	5. California	432	5. California	224
6. Stanford	247	6. Stanford	369	6. Stanford	207
7. Oregon	225	7. Utah	363	7. Oregon	202
8. Utah	207	8. Oregon	347	8. Utah	190
9. Oregon State	183	9. Oregon State	300	9. Oregon State	158
Doubles		Triples		Home runs	
1. Arizona State	97	1. Stanford	25	1. Arizona	103
2. UCLA	83	2. Utah	14	2. Arizona State	91
3. Arizona	69	3. UCLA	13	3. UCLA	63
4. Washington	66	4. California	12	4. Washington	44
5. Stanford	63	Arizona State	12	5. Oregon	42
6. Utah	62	6. Washington	9	6. Utah	38
7. California	56	7. Arizona	7	7. California	32
8. Oregon	55	8. Oregon State	5	8. Stanford	29
9. Oregon State	53	Oregon	5	9. Oregon State	27
Total bases		Total plate appearances		At bats	
1. Arizona	884	1. Arizona	1770	1. Arizona	1517
2. Arizona State	830	2. Washington	1722	2. California	1514
3. UCLA	807	3. UCLA	1713	3. UCLA	1476
4. Washington	659	California	1713	4. Washington	1470
5. California	608	5. Arizona State	1648	5. Arizona State	1370
6. Stanford	569	6. Stanford	1570	6. Stanford	1338
7. Utah	567	7. Oregon	1559	7. Utah	1315
8. Oregon	538	8. Utah	1531	8. Oregon	1310
9. Oregon State	444	9. Oregon State	1321	9. Oregon State	1165
Walks		Hit by pitch		Strikeouts	
1. Arizona State	210	1. California	38	1. Arizona State	297
2. Oregon	195	Arizona State	38	2. Arizona	273
Arizona	195	3. Stanford	35	3. Oregon	265
4. Washington	191	Utah	35	4. Utah	237
5. UCLA	183	5. Oregon State	26	5. California	231
6. Stanford	165	6. Washington	24	6. Washington	219
7. Utah	136	7. UCLA	22	7. UCLA	214
8. California	121	8. Arizona	21	8. Stanford	210
9. Oregon State	109	9. Oregon	20	9. Oregon State	182
Sac bunts		Sac flies		Stolen bases	
1. Utah	37	1. UCLA	15	1. UCLA	59
2. California	26	Arizona State	15	2. California	58
3. Arizona	25	3. Oregon	13	3. Arizona State	57
Washington	25	California	13	4. Oregon State	53
5. Oregon	21	5. Stanford	12	5. Oregon	48
6. Stanford	19	Arizona	12	6. Washington	46
7. UCLA	17	7. Washington	11	7. Stanford	41
8. Arizona State	14	8. Oregon State	8	8. Utah	33
9. Oregon State	13	Utah	8	9. Arizona	14



Caught stealing	
1. Washington	16
2. Oregon	14
3. Utah	12
4. Arizona State	9
5. Stanford	8
Oregon State	8
UCLA	8
8. California	3
Arizona	3

Steal attempts	
1. UCLA	67
2. Arizona State	66
3. Oregon	62
Washington	62
5. Oregon State	61
California	61
7. Stanford	49
8. Utah	45
9. Arizona	17

Grounded into DP	
1. Oregon	10
Arizona	10
3. UCLA	9
4. Stanford	7
5. Oregon State	5
Utah	5
Washington	5
8. California	2
Arizona State	2

2019 Pac-12 Softball  
Pac-12 Pitching Leaders (as of May 20, 2019)  
(All games)

Hitting minimums - 75% of Games 2.5 TPA/Game  
Pitching minimums - 1.0 IP/Game

<b>Earned run avg</b>		<b>Opposing bat avg</b>		<b>Innings pitched</b>	
1. UCLA	1.39	1. UCLA	.169	1. Washington	373.0
2. Washington	1.48	2. Washington	.180	2. Arizona	364.2
3. Arizona	1.61	3. Arizona	.182	3. California	364.1
4. California	2.92	4. California	.237	4. UCLA	353.0
5. Stanford	3.29	5. Oregon State	.258	5. Stanford	347.0
6. Oregon State	3.53	6. Stanford	.261	6. Arizona State	336.1
7. Arizona State	4.64	7. Oregon	.284	7. Oregon	332.1
8. Oregon	5.10	8. Arizona State	.289	8. Utah	325.2
9. Utah	6.30	9. Utah	.328	9. Oregon State	291.1
<b>Batters struck out</b>		<b>Batters SO out looking</b>		<b>Wins</b>	
1. Washington	504	1. Washington	118	1. UCLA	49
2. UCLA	445	2. UCLA	109	2. Washington	47
3. Arizona	381	3. Oregon State	94	3. Arizona	45
4. California	311	4. Arizona	85	4. Arizona State	35
5. Oregon State	291	5. Oregon	77	5. Stanford	33
6. Oregon	289	6. Arizona State	68	6. California	28
7. Stanford	220	7. California	63	7. Oregon State	26
8. Arizona State	211	8. Stanford	58	8. Oregon	22
9. Utah	132	9. Utah	39	9. Utah	19
<b>Losses</b>		<b>Saves</b>		<b>Runners picked off</b>	
1. Utah	34	1. Stanford	10	1. Utah	3
2. Oregon	30	2. Washington	6	2. Oregon	2
3. California	27	3. Arizona	5	Arizona State	2
4. Arizona State	20	4. Arizona State	4	4. Oregon State	1
Stanford	20	UCLA	4	Stanford	1
6. Oregon State	19	6. Utah	3		
7. Arizona	12	California	3		
8. Washington	7	8. Oregon State	1		
9. UCLA	6				
<b>Sac bunts allowed</b>		<b>Sac flies allowed</b>		<b>Hits allowed</b>	
1. Stanford	31	1. Utah	17	1. UCLA	214
2. Utah	28	2. Stanford	13	2. Arizona	239
3. Oregon	26	3. Arizona State	11	3. Washington	244
4. Arizona State	25	Oregon	11	4. Oregon State	305
5. California	24	5. California	9	5. California	335
6. Oregon State	20	6. Oregon State	8	6. Stanford	352
7. Washington	16	7. Washington	4	7. Oregon	376
8. Arizona	14	8. Arizona	2	8. Arizona State	392
9. UCLA	11	9. UCLA	1	9. Utah	449
<b>Runs allowed</b>		<b>Earned runs allowed</b>		<b>Walks allowed</b>	
1. UCLA	86	1. UCLA	70	1. UCLA	77
2. Washington	95	2. Washington	79	2. Washington	87
3. Arizona	108	3. Arizona	84	3. Arizona	95
4. Oregon State	184	4. Oregon State	147	4. Stanford	121
5. California	204	5. California	152	5. Oregon State	126
6. Stanford	208	6. Stanford	163	6. Arizona State	182
7. Arizona State	269	7. Arizona State	223	7. California	185
8. Oregon	285	8. Oregon	242	8. Oregon	197
9. Utah	343	9. Utah	293	9. Utah	212
<b>Doubles allowed</b>		<b>Triples allowed</b>		<b>Home runs allowed</b>	
1. Arizona	28	1. Washington	2	1. Washington	22
2. Washington	35	2. Oregon State	3	2. California	25
UCLA	35	3. Arizona State	5	3. UCLA	27
4. California	47	UCLA	5	4. Oregon State	31
5. Stanford	53	5. Stanford	6	5. Arizona	33
6. Oregon State	55	Arizona	6	6. Stanford	39
7. Arizona State	67	7. Oregon	9	7. Arizona State	53
8. Oregon	74	8. California	10	8. Utah	58
9. Utah	90	9. Utah	18	9. Oregon	61

Wild pitches	
1. Oregon	65
2. Utah	50
3. California	26
4. Arizona State	25
5. Washington	14
6. Stanford	11
7. Oregon State	10
Arizona	10
9. UCLA	8

Balks	
1. Oregon State	1

Hit batters	
1. Arizona State	53
2. Oregon	41
3. UCLA	38
4. Stanford	33
5. Washington	22
6. Oregon State	20
7. Utah	19
8. Arizona	18
9. California	12

Intentional BB allowed	
1. Utah	3
Oregon	3
3. Stanford	2
Washington	2
Arizona	2
Arizona State	2
7. California	1

2019 Pac-12 Softball  
Pac-12 Fielding Leaders (as of May 20, 2019)  
(All games)

Hitting minimums - 75% of Games  
Pitching minimums - 1.0 IP/Game

<b>Fielding pct</b>		<b>Chances</b>		<b>Putouts</b>	
1. Washington	.980	1. California	1556	1. Washington	1119
2. Arizona	.976	2. Utah	1537	2. Arizona	1094
3. UCLA	.973	3. Arizona	1515	3. California	1093
4. Oregon	.969	4. Washington	1490	4. UCLA	1059
5. Stanford	.963	5. Stanford	1470	5. Stanford	1041
6. Arizona State	.962	6. UCLA	1391	6. Arizona State	1009
7. Utah	.962	7. Arizona State	1385	7. Oregon	997
8. California	.957	8. Oregon	1338	8. Utah	977
9. Oregon State	.943	9. Oregon State	1273	9. Oregon State	874
<b>Assists</b>		<b>Errors</b>		<b>Fielding double plays</b>	
1. Utah	502	1. Oregon State	72	1. Utah	27
2. California	396	2. California	67	2. Arizona State	20
3. Arizona	385	3. Utah	58	3. Stanford	19
4. Stanford	374	4. Stanford	55	4. Arizona	18
5. Washington	341	5. Arizona State	52	5. Oregon State	15
6. Oregon State	327	6. Oregon	42	6. UCLA	14
7. Arizona State	324	7. UCLA	37	7. Washington	13
8. Oregon	299	8. Arizona	36	8. California	12
9. UCLA	295	9. Washington	30	9. Oregon	11
<b>Stolen bases against</b>		<b>Caught stealing by</b>		<b>Steal attempts against</b>	
1. California	48	1. Oregon	17	1. California	57
2. Oregon State	38	2. Arizona State	13	2. Oregon	48
3. Oregon	31	3. Utah	11	3. Oregon State	41
4. Utah	24	4. California	9	4. Arizona State	35
5. UCLA	23	5. Arizona	7	Utah	35
6. Arizona State	22	UCLA	7	6. UCLA	30
7. Washington	18	7. Stanford	6	7. Washington	19
8. Stanford	10	8. Oregon State	3	8. Stanford	16
9. Arizona	8	9. Washington	1	9. Arizona	15
<b>Passed balls</b>		<b>Catchers interference</b>			
1. Oregon	14	1. Oregon State	1		
Oregon State	14	UCLA	1		
3. Arizona State	10	Stanford	1		
4. UCLA	7	Utah	1		
5. California	6				
6. Utah	5				
7. Stanford	3				
8. Washington	2				
Arizona	2				

2019 Pac-12 Softball  
Pac-12 Overall Statistics (as of May 20, 2019)  
(All games Sorted by Batting avg)

Team	avg	g	ab	r	h	2b	3b	hr	rbi	tb	slg%	bb	hp	so	gdp	ob%	sf	sh	sb-att	po	a	e	fld%
UCLA	.345	55	1476	386	509	83	13	63	354	807	.547	183	22	214	9	.421	15	17	59-67	1059	295	37	.973
Arizona	.324	57	1517	383	492	69	7	10	361	884	.583	195	21	273	10	.406	12	25	14-17	1094	385	36	.976
Arizona State	.318	55	1370	411	436	97	12	91	378	830	.606	210	38	297	2	.419	15	14	57-66	1009	324	52	.962
Washington	.301	55	1470	305	443	66	9	44	276	659	.448	191	24	219	5	.388	11	25	46-62	1119	341	30	.980
California	.285	55	1514	259	432	56	12	32	224	608	.402	121	38	231	2	.351	13	26	58-61	1093	396	67	.957
Utah	.276	53	1315	207	363	62	14	38	190	567	.431	136	35	237	5	.357	8	37	33-45	977	502	58	.962
Stanford	.276	53	1338	247	369	63	25	29	207	569	.425	165	35	210	7	.367	12	19	41-49	1041	374	55	.963
Oregon	.265	52	1310	225	347	55	5	42	202	538	.411	195	20	265	10	.365	13	21	48-62	997	299	42	.969
Oregon State	.258	45	1165	183	300	53	5	27	158	444	.381	109	26	182	5	.333	8	13	53-61	874	327	72	.943
Totals	.296	480	12475	2606	3691	604	102	469	2350	5906	.473	1505	259	2128	55	.380	107	197	409-490	9263	3243	449	.965

(All games Sorted by Earned run avg)

Team	era	w-l	g	cg	sho	sv	ip	h	r	er	bb	so	2b	3b	hr	b/avg	wp	hp	bk	sfa	sha
UCLA	1.39	49-6	55	32	19/4	4	353.0	214	86	70	77	445	35	5	27	.169	8	38	0	1	11
Washington	1.48	47-7	55	32	21/4	6	373.0	244	95	79	87	504	35	2	22	.180	14	22	0	4	16
Arizona	1.61	45-12	57	35	15/2	5	364.2	239	108	84	95	381	28	6	33	.182	10	18	0	2	14
California	2.92	28-27	55	26	11/1	3	364.1	335	204	152	185	311	47	10	25	.237	26	12	0	9	24
Stanford	3.29	33-20	53	12	6/6	10	347.0	352	208	163	121	220	53	6	39	.261	11	33	0	13	31
Oregon State	3.53	26-19	45	28	9/1	1	291.1	305	184	147	126	291	55	3	31	.258	10	20	1	8	20
Arizona State	4.64	35-20	55	18	4/1	4	336.1	392	269	223	182	211	67	5	53	.289	25	53	0	11	25
Oregon	5.10	22-30	52	26	5/0	0	332.1	376	285	242	197	289	74	9	61	.284	65	41	0	11	26
Utah	6.30	19-34	53	8	2/2	3	325.2	449	343	293	212	132	90	18	58	.328	50	19	0	17	28
Totals	3.29	304-175	480	217	92/21	36	3087.2	2906	1782	1453	1282	2784	484	64	349	.244	219	256	1	76	195

(All games Sorted by Fielding pct)

Team	c	po	a	e	fld%	dp	sba	csb	sba%	pb	ci
Washington	1490	1119	341	30	.980	13	18	1	.947	2	0
Arizona	1515	1094	385	36	.976	18	8	7	.533	2	0
UCLA	1391	1059	295	37	.973	14	23	7	.767	7	1
Oregon	1338	997	299	42	.969	11	31	17	.646	14	0
Stanford	1470	1041	374	55	.963	19	10	6	.625	3	1
Arizona State	1385	1009	324	52	.962	20	22	13	.629	10	0
Utah	1537	977	502	58	.962	27	24	11	.686	5	1
California	1556	1093	396	67	.957	12	48	9	.842	6	0
Oregon State	1273	874	327	72	.943	15	38	3	.927	14	1
Totals	12955	9263	3243	449	.965	149	222	74	.750	63	4

2019 Pac-12 Softball  
Pac-12 Batting Leaders (as of May 20, 2019)  
(All games)

Hitting minimums - 75% of Games 2.5 TPA/Game  
Pitching minimums - 1.0 IP/Game

<b>Batting avg</b>		<b>Slugging pct</b>		<b>On base pct</b>	
1. Carranco, Re-ARIZ	.432	1. Harper, Jess-ARIZ	.861	1. Hackbarth, K-ASU	.500
2. Hackbarth, K-ASU	.412	2. Hackbarth, K-ASU	.841	Howe, Morgan-ASU	.500
3. Nickles, Bub-UCLA	.408	3. Flores, Morg-WASH	.784	3. Palomino, AI-ARIZ	.482
4. Howe, Morgan-ASU	.402	4. Mulipola, De-ARIZ	.778	4. Pack, Taylor-UCLA	.478
5. Perez, Brian-UCLA	.397	5. Palomino, AI-ARIZ	.773	5. Mulipola, De-ARIZ	.477
6. Rood, Lindsa-CAL	.396	6. Howe, Morgan-ASU	.768	6. Carranco, Re-ARIZ	.475
7. Bates, Sis-WASH	.388	7. Nickles, Bub-UCLA	.739	7. Nickles, Bub-UCLA	.471
8. Palomino, AI-ARIZ	.387	8. Pack, Taylor-UCLA	.699	8. Bates, Sis-WASH	.466
9. Pack, Taylor-UCLA	.382	9. Jordan, Aali-UCLA	.681	9. Cruse, Haley-ORE	.465
10. Jordan, Aali-UCLA	.375	10. Hackbarth, M-ASU	.681	10. Jordan, Aali-UCLA	.445
11. Cowles, Teag-STAN	.374	11. Loomis, Bell-ASU	.647	11. Flores, Morg-WASH	.443
<b>Runs scored</b>		<b>Hits</b>		<b>Runs batted in</b>	
1. Hackbarth, K-ASU	67	1. Rood, Lindsa-CAL	78	1. Nickles, Bub-UCLA	69
2. Perez, Brian-UCLA	63	2. Nickles, Bub-UCLA	75	2. Harper, Jess-ARIZ	68
3. Harper, Jess-ARIZ	62	3. Perez, Brian-UCLA	73	3. Palomino, AI-ARIZ	61
4. Nickles, Bub-UCLA	59	4. Palomino, AI-ARIZ	70	Howe, Morgan-ASU	61
5. Bates, Sis-WASH	58	Hackbarth, K-ASU	70	5. Flores, Morg-WASH	59
6. Palomino, AI-ARIZ	57	Carranco, Re-ARIZ	70	6. Hackbarth, K-ASU	57
7. Howe, Morgan-ASU	56	7. Bates, Sis-WASH	69	7. Martinez, Ma-ARIZ	54
8. McCarty, Sky-ASU	50	8. Harper, Jess-ARIZ	66	8. Hackbarth, M-ASU	53
Carranco, Re-ARIZ	50	Howe, Morgan-ASU	66	Jordan, Aali-UCLA	53
10. Loomis, Bell-ASU	49	10. Cowles, Teag-STAN	65	10. Mulipola, De-ARIZ	52
Rood, Lindsa-CAL	49	11. Jordan, Aali-UCLA	60	11. Chatman, DeN-ASU	46
<b>Doubles</b>		<b>Triples</b>		<b>Home runs</b>	
1. Jordan, Aali-UCLA	19	1. Barrera, Aly-UTAH	7	1. Harper, Jess-ARIZ	28
2. Hackbarth, K-ASU	18	2. Cowles, Teag-STAN	5	2. Mulipola, De-ARIZ	21
Palomino, AI-ARIZ	18	Young, Emily-STAN	5	Flores, Morg-WASH	21
4. Howe, Morgan-ASU	16	4. Schultz, Emi-STAN	4	4. Hackbarth, M-ASU	19
Rood, Lindsa-CAL	16	Blueford, De-CAL	4	5. Hackbarth, K-ASU	17
6. Sievers, Jas-ORE	15	Washington, -UCLA	4	6. Nickles, Bub-UCLA	16
Gortarez, Ja-ASU	15	Rood, Lindsa-CAL	4	Palomino, AI-ARIZ	16
8. Reynolds, Sa-WASH	13	Howe, Morgan-ASU	4	8. Martinez, Ma-ARIZ	13
Carranco, Re-ARIZ	13	Inouye, Kris-STAN	4	9. Chatman, DeN-ASU	12
Pack, Taylor-UCLA	13	10. Perez, Brian-UCLA	3	Howe, Morgan-ASU	12
11. 2 tied at.....	12	Bates, Sis-WASH	3	11. Hammoude, Fr-OSU	11
<b>Total bases</b>		<b>Walks</b>		<b>Hit by pitch</b>	
1. Harper, Jess-ARIZ	161	1. Mulipola, De-ARIZ	41	1. Castaneda, B-UTAH	13
2. Hackbarth, K-ASU	143	2. Utecht, Apri-ORE	36	2. Dixon, Monta-STAN	11
3. Palomino, AI-ARIZ	140	3. Palomino, AI-ARIZ	32	McCarty, Sky-ASU	11
4. Nickles, Bub-UCLA	136	4. Cruse, Haley-ORE	31	4. Nunes, Missy-OSU	9
5. Flores, Morg-WASH	127	Hackbarth, M-ASU	31	5. Espalin, Lau-CAL	8
6. Howe, Morgan-ASU	126	6. Garcia-UCLA	30	6. Blueford, De-CAL	7
7. Mulipola, De-ARIZ	119	7. Hackbarth, K-ASU	29	Fines, Jorda-CAL	7
8. Rood, Lindsa-CAL	117	8. Burks, Whitn-STAN	28	Kennedy, Kia-ASU	7
9. Jordan, Aali-UCLA	109	Howe, Morgan-ASU	28	9. Burks, Whitn-STAN	6
10. Perez, Brian-UCLA	104	10. Coelho, Mika-CAL	27	Barrera, Aly-UTAH	6
11. Cowles, Teag-STAN	103	Cid, Rachel-ORE	27	Bonstrom, El-UTAH	6
<b>Sac bunts</b>		<b>Sac flies</b>		<b>Stolen bases</b>	
1. Castaneda, B-UTAH	12	1. Garcia-UCLA	4	1. Rood, Lindsa-CAL	30
2. Martinez, Ha-ARIZ	6	Chatman, DeN-ASU	4	2. Godin, Kelli-UCLA	22
Godin, Kelli-UCLA	6	3. Flores, Morg-WASH	3	3. Perez, Brian-UCLA	20
Carranco, Re-ARIZ	6	Perez, Brian-UCLA	3	4. Weeks, Shelb-OSU	16
5. Noskin, Juli-UTAH	5	Bowden, Shay-ORE	3	5. Hackbarth, K-ASU	15
Blueford, De-CAL	5	Young, Emily-STAN	3	Garcia, Jess-OSU	15
Perez, Brian-UCLA	5	Hilburn, Hai-UTAH	3	7. Cruse, Haley-ORE	13
Flores, Morg-WASH	5	Carranco, Re-ARIZ	3	8. Bradley, Ama-CAL	10
Wagner, Lexi-ORE	5	Hammoude, Fr-OSU	3	Cowles, Teag-STAN	10
Palacios, AI-UTAH	5	Sparacino, K-CAL	3	Howe, Morgan-ASU	10
Horeczko, AI-STAN	5	11. 19 tied at.....	2	11. 5 tied at.....	9

Total plate appearances	
1. Palomino, Al-ARIZ	218
2. Rood, Lindsa-CAL	215
3. Bates, Sis-WASH	211
4. Nickles, Bub-UCLA	210
5. Perez, Brian-UCLA	208
Harper, Jess-ARIZ	208
7. Hackbarth, K-ASU	202
8. McCarty, Sky-ASU	201
9. Flores, Morg-WASH	199
Mulipola, De-ARIZ	199
11. 2 tied at.....	198

At bats	
1. Rood, Lindsa-CAL	197
2. Harper, Jess-ARIZ	187
3. Nickles, Bub-UCLA	184
Perez, Brian-UCLA	184
5. Bradley, Ama-CAL	182
6. Palomino, Al-ARIZ	181
7. Bates, Sis-WASH	178
8. Cowles, Teag-STAN	174
Martinez, Ma-ARIZ	174
10. Hackbarth, K-ASU	170
11. McCarty, Sky-ASU	169

Steal attempts	
1. Rood, Lindsa-CAL	30
2. Godin, Kelli-UCLA	25
3. Perez, Brian-UCLA	21
4. Weeks, Shelb-OSU	19
5. Garcia, Jess-OSU	17
6. Hackbarth, K-ASU	16
7. Cruse, Haley-ORE	15
8. Atlee, Taryn-WASH	13
9. Noskin, Juli-UTAH	12
Bowden, Shay-ORE	12
11. 3 tied at.....	11

Strikeouts	
1. Chatman, DeN-ASU	47
2. Wagner, Lexi-ORE	41
3. Faulk, Katie-UTAH	39
4. Burks, Whitn-STAN	38
Mulipola, De-ARIZ	38
6. Hackbarth, M-ASU	37
7. Galey, Hanna-ORE	33
8. Hurst, Makay-UTAH	32
Blueford, De-CAL	32
10. Hackbarth, K-ASU	31
Palomino, Al-ARIZ	31

Caught stealing	
1. Atlee, Taryn-WASH	5
Bowden, Shay-ORE	5
3. Gortarez, Ja-ASU	4
4. Godin, Kelli-UCLA	3
Weeks, Shelb-OSU	3
Noskin, Juli-UTAH	3
7. 15 tied at.....	2

Grounded into DP	
1. Pack, Taylor-UCLA	3
Inouye, Kris-STAN	3
Harper, Jess-ARIZ	3
Dixon, Monta-STAN	3
Cid, Rachel-ORE	3
6. 10 tied at.....	2

2019 Pac-12 Softball  
Pac-12 Pitching Leaders (as of May 20, 2019)  
(All games)

Hitting minimums - 75% of Games 2.5 TPA/Game  
Pitching minimums - 1.0 IP/Game

<b>Earned run avg</b>		<b>Opposing bat avg</b>		<b>Innings pitched</b>	
1. Garcia-UCLA	1.02	1. Plain, Gabbi-WASH	.148	1. Dail, Jordan-ORE	248.0
2. Plain, Gabbi-WASH	1.21	2. Garcia-UCLA	.156	2. Alvelo, Tara-WASH	181.1
3. Faraimo, Meg-UCLA	1.37	3. Faraimo, Meg-UCLA	.164	McQuillin, T-ARIZ	181.1
4. McQuillin, T-ARIZ	1.54	4. McQuillin, T-ARIZ	.180	4. Mazon, Maria-OSU	174.0
5. Alvelo, Tara-WASH	1.58	5. Denham, Alys-ARIZ	.181	5. Plain, Gabbi-WASH	162.1
6. Denham, Alys-ARIZ	1.93	6. Azevedo, Hol-UCLA	.196	6. Garcia-UCLA	157.1
7. Azevedo, Hol-UCLA	2.07	7. Alvelo, Tara-WASH	.197	Lee, Carolyn-STAN	157.1
8. Dung, Kamala-CAL	2.32	8. Dung, Kamala-CAL	.206	8. Dung, Kamala-CAL	157.0
9. Mazon, Maria-OSU	2.70	9. Mazon, Maria-OSU	.239	9. Conley, Zoe-CAL	151.1
10. Dwyer, Maddy-STAN	3.12	10. Lee, Carolyn-STAN	.253	10. Mejia, Saman-ASU	128.1
11. Lee, Carolyn-STAN	3.34	11. Meza, Cielo-ASU	.255	11. Sandez, Sydn-UTAH	123.1
<b>Batters struck out</b>		<b>Batters SO out looking</b>		<b>Wins</b>	
1. Alvelo, Tara-WASH	265	1. Alvelo, Tara-WASH	71	1. Alvelo, Tara-WASH	24
2. Dail, Jordan-ORE	240	2. Dail, Jordan-ORE	60	2. Garcia-UCLA	23
3. Garcia-UCLA	238	3. Garcia-UCLA	44	3. McQuillin, T-ARIZ	22
4. Plain, Gabbi-WASH	218	4. Faraimo, Meg-UCLA	43	4. Plain, Gabbi-WASH	21
5. McQuillin, T-ARIZ	205	5. Plain, Gabbi-WASH	41	5. Dail, Jordan-ORE	18
6. Mazon, Maria-OSU	166	Mazon, Maria-OSU	41	6. Mazon, Maria-OSU	17
7. Dung, Kamala-CAL	157	7. McQuillin, T-ARIZ	35	7. Mejia, Saman-ASU	16
8. Faraimo, Meg-UCLA	135	Nelson, Meeh-OSU	35	8. Faraimo, Meg-UCLA	15
9. Conley, Zoe-CAL	120	9. Dung, Kamala-CAL	32	9. Dung, Kamala-CAL	13
10. Lee, Carolyn-STAN	108	10. Mejia, Saman-ASU	30	10. 3 tied at.....	12
11. Denham, Alys-ARIZ	105	11. Meza, Cielo-ASU	29		
<b>Saves</b>		<b>Appearances</b>		<b>Games started</b>	
1. Pancino, Kia-STAN	8	1. Dail, Jordan-ORE	45	1. Dail, Jordan-ORE	39
2. Plain, Gabbi-WASH	4	2. Sandez, Sydn-UTAH	37	2. Lee, Carolyn-STAN	30
3. Bowen, Hanah-ARIZ	3	3. Dung, Kamala-CAL	36	3. McQuillin, T-ARIZ	27
Garcia-UCLA	3	Alvelo, Tara-WASH	36	4. Mazon, Maria-OSU	26
5. Dung, Kamala-CAL	2	5. Mejia, Saman-ASU	35	5. Alvelo, Tara-WASH	25
Alvelo, Tara-WASH	2	6. Conley, Zoe-CAL	34	Hilburn, Hai-UTAH	25
7. 14 tied at.....	1	Plain, Gabbi-WASH	34	7. Plain, Gabbi-WASH	24
		8. Lee, Carolyn-STAN	32	8. Mejia, Saman-ASU	23
		9. Meza, Cielo-ASU	31	Conley, Zoe-CAL	23
		McQuillin, T-ARIZ	31	10. Faraimo, Meg-UCLA	20
		11. 2 tied at.....	30	Dung, Kamala-CAL	20
<b>Games finished</b>		<b>Games in relief</b>		<b>Sac bunts allowed</b>	
1. Pancino, Kia-STAN	23	1. Pancino, Kia-STAN	28	1. Dail, Jordan-ORE	21
2. Sandez, Sydn-UTAH	15	2. Sandez, Sydn-UTAH	24	2. Mejia, Saman-ASU	15
Dung, Kamala-CAL	15	3. Ladner, Chan-UTAH	17	3. Lee, Carolyn-STAN	14
4. Feldman, Cla-UTAH	11	Lynch, Jess-UTAH	17	4. Conley, Zoe-CAL	12
Alvelo, Tara-WASH	11	5. Dung, Kamala-CAL	16	Mazon, Maria-OSU	12
6. Santa cruz, -ASU	10	6. Feldman, Cla-UTAH	15	6. Sandez, Sydn-UTAH	11
Conley, Zoe-CAL	10	7. Meza, Cielo-ASU	14	7. Dung, Kamala-CAL	10
Mejia, Saman-ASU	10	Santa cruz, -ASU	14	8. Dwyer, Maddy-STAN	10
Plain, Gabbi-WASH	10	9. Mejia, Saman-ASU	12	9. Hilburn, Hai-UTAH	9
Meza, Cielo-ASU	10	Bauer, Nikki-STAN	12	McQuillin, T-ARIZ	9
Azevedo, Hol-UCLA	10	11. 4 tied at.....	11	11. Alvelo, Tara-WASH	8
<b>Sac flies allowed</b>		<b>Losses</b>		<b>Runners picked off</b>	
1. Dail, Jordan-ORE	8	1. Dail, Jordan-ORE	18	1. Faulk, Katie-UTAH	3
2. Lee, Carolyn-STAN	7	2. Conley, Zoe-CAL	16	2. Bowden, Shay-ORE	2
3. Andersen, Ab-ASU	5	3. Hilburn, Hai-UTAH	15	Hackbarth, M-ASU	2
Ladner, Chan-UTAH	5	4. Mazon, Maria-OSU	12	4. Dixon, Monta-STAN	1
Dung, Kamala-CAL	5	5. Dung, Kamala-CAL	11	Shafer, Kayl-OSU	1
6. Conley, Zoe-CAL	4	6. Lee, Carolyn-STAN	10		
Pancino, Kia-STAN	4	Mejia, Saman-ASU	10		
Mazon, Maria-OSU	4	8. Sandez, Sydn-UTAH	9		
Feldman, Cla-UTAH	4	9. Andersen, Ab-ASU	7		
10. 5 tied at.....	3	MacGrandle, -ORE	7		
		McQuillin, T-ARIZ	7		



Wild pitches	
1. Dail, Jordan-ORE	41
2. Hilburn, Hai-UTAH	19
3. Feldman, Cla-UTAH	14
4. MacGrandle, -ORE	13
5. Dung, Kamala-CAL	10
Andersen, Ab-ASU	10
7. Conley, Zoe-CAL	9
8. Sandez, Sydn-UTAH	8
Mejia, Saman-ASU	8
McQuillin, T-ARIZ	8
11. Alvelo, Tara-WASH	7

Balks	
1. Eason, Neris-OSU	1

Hit batters	
1. Dail, Jordan-ORE	34
2. Meza, Cielo-ASU	23
3. Garcia-UCLA	22
4. Alvelo, Tara-WASH	16
5. Lee, Carolyn-STAN	15
6. Mejia, Saman-ASU	13
7. Andersen, Ab-ASU	10
8. Nelson, Meeh-OSU	9
Azevedo, Hol-UCLA	9
Mazon, Maria-OSU	9
11. Dwyer, Maddy-STAN	8

Intentional BB allowed	
1. McQuillin, T-ARIZ	2
Alvelo, Tara-WASH	2
Sandez, Sydn-UTAH	2
Dail, Jordan-ORE	2
Meza, Cielo-ASU	2
Lee, Carolyn-STAN	2
7. Hilburn, Hai-UTAH	1
Conley, Zoe-CAL	1
MacGrandle, -ORE	1

Hits allowed	
1. Azevedo, Hol-UCLA	62
2. Denham, Alys-ARIZ	64
3. Faraimo, Meg-UCLA	65
4. Plain, Gabbi-WASH	85
5. Garcia-UCLA	87
6. Dwyer, Maddy-STAN	92
7. Meza, Cielo-ASU	97
8. Nelson, Meeh-OSU	98
9. McQuillin, T-ARIZ	118
10. Dung, Kamala-CAL	119
11. Andersen, Ab-ASU	123

Runs allowed	
1. Faraimo, Meg-UCLA	28
Azevedo, Hol-UCLA	28
3. Garcia-UCLA	30
4. Plain, Gabbi-WASH	33
5. Denham, Alys-ARIZ	34
6. Alvelo, Tara-WASH	48
7. Dwyer, Maddy-STAN	50
8. McQuillin, T-ARIZ	52
9. Nelson, Meeh-OSU	62
10. Dung, Kamala-CAL	68
11. Andersen, Ab-ASU	70

Earned runs allowed	
1. Faraimo, Meg-UCLA	21
2. Garcia-UCLA	23
3. Azevedo, Hol-UCLA	26
4. Denham, Alys-ARIZ	27
5. Plain, Gabbi-WASH	28
6. McQuillin, T-ARIZ	40
7. Dwyer, Maddy-STAN	41
Alvelo, Tara-WASH	41
9. Dung, Kamala-CAL	52
10. Andersen, Ab-ASU	53
11. Nelson, Meeh-OSU	56

Walks allowed	
1. Azevedo, Hol-UCLA	22
2. Nelson, Meeh-OSU	23
3. Faraimo, Meg-UCLA	24
4. Garcia-UCLA	31
5. Dwyer, Maddy-STAN	33
6. Denham, Alys-ARIZ	34
7. Plain, Gabbi-WASH	35
8. Alvelo, Tara-WASH	40
9. Sandez, Sydn-UTAH	43
10. Lee, Carolyn-STAN	44
11. McQuillin, T-ARIZ	45

Doubles allowed	
1. Denham, Alys-ARIZ	6
2. Azevedo, Hol-UCLA	9
3. Faraimo, Meg-UCLA	11
4. Plain, Gabbi-WASH	12
5. Meza, Cielo-ASU	13
Dwyer, Maddy-STAN	13
7. Garcia-UCLA	15
8. McQuillin, T-ARIZ	18
9. Nelson, Meeh-OSU	19
Alvelo, Tara-WASH	19
11. Dung, Kamala-CAL	20

Triples allowed	
1. Andersen, Ab-ASU	0
Nelson, Meeh-OSU	0
3. Lee, Carolyn-STAN	1
Alvelo, Tara-WASH	1
Garcia-UCLA	1
Plain, Gabbi-WASH	1
Dwyer, Maddy-STAN	1
8. Meza, Cielo-ASU	2
Faraimo, Meg-UCLA	2
Mejia, Saman-ASU	2
Denham, Alys-ARIZ	2

Home runs allowed	
1. Dwyer, Maddy-STAN	8
Faraimo, Meg-UCLA	8
3. Garcia-UCLA	9
4. Azevedo, Hol-UCLA	10
Alvelo, Tara-WASH	10
Dung, Kamala-CAL	10
Plain, Gabbi-WASH	10
8. Denham, Alys-ARIZ	11
Hilburn, Hai-UTAH	11
10. Conley, Zoe-CAL	13
Nelson, Meeh-OSU	13

2019 Pac-12 Softball  
Pac-12 Fielding Leaders (as of May 20, 2019)  
(All games)

Hitting minimums - 75% of Games  
Pitching minimums - 1.0 IP/Game

<b>Fielding pct</b>		<b>Chances</b>		<b>Putouts</b>	
1. Flores, Morg-WASH	1.000	1. Flores, Morg-WASH	456	1. Flores, Morg-WASH	452
2. Howell, Hann-STAN	1.000	2. Mulipola, De-ARIZ	403	2. Mulipola, De-ARIZ	378
Palomino, Al-ARIZ	1.000	3. Smith, Maken-CAL	386	3. Smith, Maken-CAL	347
Reynolds, Sa-WASH	1.000	4. Hammoude, Fr-OSU	321	4. Hammoude, Fr-OSU	300
Garcia, Jess-OSU	1.000	5. Palacios, Al-UTAH	306	5. Chatman, DeN-ASU	295
Huskey, Madi-WASH	1.000	Chatman, DeN-ASU	306	6. Palacios, Al-UTAH	279
Gasper, Jord-UTAH	1.000	7. Bowden, Shay-ORE	288	7. Pierce, Ryle-ARIZ	272
Jordan, Aali-UCLA	1.000	8. Pierce, Ryle-ARIZ	283	8. Burks, Whitn-STAN	271
9. Mulipola, De-ARIZ	.998	Burks, Whitn-STAN	283	9. Gibson, Kaij-WASH	263
10. Gibson, Kaij-WASH	.996	10. Dixon, Monta-STAN	275	10. Dixon, Monta-STAN	252
11. Palacios, Al-UTAH	.993	11. Gibson, Kaij-WASH	273	11. Bowden, Shay-ORE	248
<b>Assists</b>		<b>Fielding double plays</b>		<b>Passed balls</b>	
1. Noskin, Juli-UTAH	126	1. Chatman, DeN-ASU	17	1. Hackbarth, M-ASU	10
2. Castaneda, B-UTAH	111	Noskin, Juli-UTAH	17	2. Utecht, Apri-ORE	9
3. Martinez, Ma-ARIZ	108	Burks, Whitn-STAN	17	3. Shafer, Kayl-OSU	8
4. Inouye, Kris-STAN	102	4. Bonstrom, El-UTAH	15	4. McLaughlin, -OSU	6
Rood, Lindsa-CAL	102	Palacios, Al-UTAH	15	Halstead, Pa-UCLA	6
6. Young, Emily-STAN	100	6. Young, Emily-STAN	12	6. Bowden, Shay-ORE	5
7. Bates, Sis-WASH	99	Hammoude, Fr-OSU	12	Faulk, Katie-UTAH	5
8. Bonstrom, El-UTAH	96	8. Perez, Brian-UCLA	11	8. Smith, Maken-CAL	4
9. Harper, Jess-ARIZ	93	Gibson, Kaij-WASH	11	9. Dixon, Monta-STAN	3
10. Bunker, Alle-ORE	88	10. Pierce, Ryle-ARIZ	10	10. Mulipola, De-ARIZ	2
11. 2 tied at.....	84	11. 2 tied at.....	9	Espalin, Lau-CAL	2
<b>Catchers interference</b>		<b>Steal attempts against</b>		<b>Stolen bases against</b>	
1. McLaughlin, -OSU	1	1. Dail, Jordan-ORE	36	1. Shafer, Kayl-OSU	31
Faulk, Katie-UTAH	1	2. Hackbarth, M-ASU	35	Conley, Zoe-CAL	31
Dixon, Monta-STAN	1	3. Conley, Zoe-CAL	34	3. Smith, Maken-CAL	26
Sullivan, Co-UCLA	1	4. Shafer, Kayl-OSU	33	4. Faulk, Katie-UTAH	23
		5. Bowden, Shay-ORE	32	Dail, Jordan-ORE	23
		Smith, Maken-CAL	32	6. Espalin, Lau-CAL	22
		Faulk, Katie-UTAH	32	Hackbarth, M-ASU	22
		8. Espalin, Lau-CAL	24	8. Mazon, Maria-OSU	19
		9. Mazon, Maria-OSU	20	9. Bowden, Shay-ORE	18
		Hilburn, Hai-UTAH	20	10. Alvelo, Tara-WASH	13
		11. Dung, Kamala-CAL	18	Dung, Kamala-CAL	13
<b>Caught stealing by</b>		<b>Errors</b>			
1. Bowden, Shay-ORE	14	1. Rader, Maia-OSU	20		
2. Dail, Jordan-ORE	13	2. Sparacino, K-CAL	17		
Hackbarth, M-ASU	13	3. Young, Emily-STAN	16		
4. Faulk, Katie-UTAH	9	4. Rood, Lindsa-CAL	15		
5. Hilburn, Hai-UTAH	8	5. Perez, Brian-UCLA	14		
Mejia, Saman-ASU	8	Castaneda, B-UTAH	14		
7. Mulipola, De-ARIZ	7	7. Loomis, Bell-ASU	12		
8. Smith, Maken-CAL	6	8. Nunes, Missy-OSU	10		
Dixon, Monta-STAN	6	Owen, Izzy-OSU	10		
10. 3 tied at.....	5	10. 5 tied at.....	9		

2019 Pac-12 Softball  
Game Highs for Pac-12 (as of May 20, 2019)  
(All games)

TEAM GAME HIGHS

Batting

At bats:	42	-	California (vs New Mexico State, Feb 23, 2019)
Runs scored:	22	-	Arizona (vs Utah, Apr 06, 2019)
Hits:	19	-	Arizona (vs Utah, Apr 06, 2019)
RBIs:	19	-	Arizona (vs Utah, Apr 06, 2019)
Doubles:	8	-	Stanford (vs Saint Mary's, Mar 27, 2019)
Triples:	4	-	Utah (vs Oregon, May 05, 2019)
Home runs:	5	-	(7 times )
Total bases:	39	-	Arizona (vs Utah, Apr 06, 2019)
Walks:	11	-	Arizona State (vs Utah, Mar 22, 2019)
Strikeouts:	15	-	Arizona (vs UCLA, May 09, 2019)
Sac hits:	3	-	(8 times )
Sac flies:	3	-	Stanford (vs Sacramento State, Apr 02, 2019)
Stolen bases:	7	-	Oregon (vs Pacific, Mar 27, 2019)
	7	-	California (vs St. Bonaventure, Mar 06, 2019)
Caught stealing:	2	-	(5 times )
Hit by pitch:	5	-	Utah (vs Arizona State, Mar 23, 2019)
Runners LOB:	13	-	(5 times )
Hit into DP:	3	-	California (vs Fairleigh Dickinson, Mar 13, 2019)

Fielding

Putouts:	30	-	(4 times )
Assists:	18	-	Utah (vs Weber State, Apr 23, 2019)
Errors:	5	-	Oregon State (vs Oregon, Apr 27, 2019)
Passed balls:	3	-	Oregon State (vs New Mexico, Mar 09, 2019)
DPs turned:	3	-	Utah (vs Ohio State, Feb 23, 2019)

Pitching

Innings pitched:	10.0	-	(4 times )
Strikeouts:	16	-	Washington (vs Cal State Fullerton, Mar 03, 2019)
	16	-	Arizona (vs South Florida, Feb 15, 2019)
Wild pitches:	5	-	Oregon (vs Kentucky, Feb 16, 2019)
	5	-	Utah (vs Arizona, Apr 06, 2019)
Hit batters:	7	-	Arizona State (vs Nebraska, Feb 22, 2019)

2019 Pac-12 Softball  
Game Highs for Pac-12 (as of May 20, 2019)  
(All games)

GAME HIGHS (BOTH TEAMS)

Batting

At bats:	72	-	California vs Utah (Mar 17, 2019)
Runs scored:	35	-	Utah vs Arizona State (Mar 23, 2019)
Hits:	32	-	Utah vs Arizona State (Mar 23, 2019)
RBIs:	34	-	Utah vs Arizona State (Mar 23, 2019)
Doubles:	8	-	Oregon vs Utah (May 04, 2019)
	8	-	Oregon State vs Arizona State (Mar 17, 2019)
	8	-	Saint Mary's vs Stanford (Mar 27, 2019)
Triples:	4	-	Oregon vs Utah (May 05, 2019)
Home runs:	10	-	Utah vs Arizona State (Mar 23, 2019)
Total bases:	69	-	Utah vs Arizona State (Mar 23, 2019)
Walks:	15	-	Utah vs Arizona State (Mar 23, 2019)
Strikeouts:	22	-	UCLA vs Washington (Mar 16, 2019)
	22	-	Oregon vs UCLA (Apr 12, 2019)
Sac hits:	4	-	Oregon vs Stanford (Mar 31, 2019)
Sac flies:	3	-	Sacramento State vs Stanford (Apr 02, 2019)
Stolen bases:	7	-	Oregon vs Pacific (Mar 27, 2019)
	7	-	St. Bonaventure vs California (Mar 06, 2019)
Caught stealing:	2	-	(8 times )
Hit by pitch:	7	-	Utah vs Arizona State (Mar 23, 2019)
Runners LOB:	21	-	California vs Oregon (Apr 20, 2019)
	21	-	Oregon State vs Oregon (Apr 27, 2019)
Hit into DP:	3	-	Fairleigh Dickinson vs California (Mar 13, 2019)
	3	-	Utah vs Oregon State (May 11, 2019)

Fielding

Putouts:	60	-	Washington vs Oregon (Mar 23, 2019)
Assists:	27	-	California vs Utah (Mar 15, 2019)
Errors:	8	-	Oregon State vs Oregon (Apr 27, 2019)
Passed balls:	3	-	Oregon State vs New Mexico (Mar 09, 2019)
DPs turned:	3	-	Fairleigh Dickinson vs California (Mar 13, 2019)
	3	-	Utah vs Oregon State (May 11, 2019)

Pitching

Innings pitched:	20.0	-	Washington vs Oregon (Mar 23, 2019)
Strikeouts:	22	-	Oregon vs UCLA (Apr 12, 2019)
	22	-	UCLA vs Washington (Mar 16, 2019)
Wild pitches:	5	-	Oregon vs Kentucky (Feb 16, 2019)
	5	-	Arizona vs Utah (Apr 06, 2019)
Hit batters:	7	-	Utah vs Arizona State (Mar 23, 2019)
	7	-	Nebraska vs Arizona State (Feb 22, 2019)

2019 Pac-12 Softball  
Game Highs for Pac-12 (as of May 20, 2019)  
(All games)

INDIVIDUAL GAME HIGHS

Batting

At bats:	6	-	Dickman, All, Utah (vs Arizona State, Mar 23, 2019)
Runs scored:	4	-	(10 times )
Hits:	5	-	Harper, Jess, Arizona (vs Auburn, May 19, 2019)
	5	-	Dickman, All, Utah (vs BYU, May 01, 2019)
RBIs:	6	-	(12 times )
Doubles:	3	-	Jordan, Aali, UCLA (vs Liberty, Mar 09, 2019)
	3	-	Schultz, Emi, Stanford (vs Saint Mary's, Mar 27, 2019)
Triples:	1	-	(102 times )
Home runs:	3	-	Harper, Jess, Arizona (vs Auburn, May 19, 2019)
	3	-	Hackbarth, M, Arizona State (vs Utah, Mar 23, 2019)
Total bases:	14	-	Harper, Jess, Arizona (vs Auburn, May 19, 2019)
Walks:	4	-	Flores, Morg, Washington (vs Oregon, Mar 23, 2019)
	4	-	Sullivan, Co, UCLA (vs Arizona State, Apr 06, 2019)
	4	-	Burks, Whitn, Stanford (vs Saint Mary's, Mar 27, 2019)
Strikeouts:	4	-	Jordan, Aali, UCLA (vs Oregon, Apr 12, 2019)
Sac hits:	2	-	(7 times )
Sac flies:	1	-	(107 times )
Stolen bases:	3	-	(9 times )
Caught stealing:	1	-	(81 times )
Hit by pitch:	2	-	(11 times )
Runners LOB:	7	-	Barrera, Aly, Utah (vs Ohio State, Feb 23, 2019)

Fielding

Putouts:	16	-	(4 times )
Assists:	7	-	(5 times )
Errors:	3	-	Rader, Maia, Oregon State (vs Seattle U, Feb 09, 2019)
Passed balls:	3	-	McLaughlin,, Oregon State (vs New Mexico, Mar 09, 2019)

Pitching

Innings pitched:	10.0	-	Conley, Zoe, California (vs Nevada, Apr 23, 2019)
Strikeouts:	16	-	Alvelo, Tara, Washington (vs Cal State Fullerton, Mar 03, 2019)
	16	-	McQuillin, T, Arizona (vs South Florida, Feb 15, 2019)
Wild pitches:	4	-	Feldman, Cla, Utah (vs Arizona, Apr 06, 2019)
Hit batters:	4	-	Dail, Jordan, Oregon (vs LSU, Feb 15, 2019)
	4	-	Alvelo, Tara, Washington (vs Missouri, Feb 23, 2019)
	4	-	Meza, Cielo, Arizona State (vs Nebraska, Feb 22, 2019)

2019 Pac-12 Softball  
Pac-12 Batting Leaders (as of May 12, 2019)  
(Pac-12 games only)

Hitting minimums - 75% of Games 2.5 TPA/Game  
Pitching minimums - 1.0 IP/Game

Batting avg		Slugging pct		On base pct	
1. UCLA	.335	1. Arizona	.599	1. UCLA	.417
2. Arizona	.316	2. Arizona State	.585	2. Arizona	.408
3. Arizona State	.302	3. UCLA	.533	3. Arizona State	.394
4. Washington	.301	4. Washington	.491	4. Washington	.391
5. California	.258	5. Utah	.422	5. Utah	.339
6. Stanford	.256	6. Oregon	.387	6. Stanford	.337
7. Utah	.252	7. Stanford	.376	7. Oregon	.332
8. Oregon	.247	8. Oregon State	.362	8. Oregon State	.308
9. Oregon State	.237	9. California	.329	9. California	.307
Runs scored		Hits		Runs batted in	
1. Arizona	171	1. UCLA	216	1. Arizona	163
2. Arizona State	160	2. Arizona	197	2. Arizona State	152
3. UCLA	154	3. Washington	193	3. UCLA	140
4. Washington	151	4. Arizona State	181	4. Washington	138
5. Utah	86	5. California	165	5. Utah	79
6. Stanford	77	6. Oregon	150	6. Oregon	69
7. Oregon	77	7. Utah	144	7. Stanford	64
8. Oregon State	73	8. Stanford	136	8. Oregon State	61
9. California	67	9. Oregon State	128	9. California	59
Doubles		Triples		Home runs	
1. Arizona State	40	1. Utah	10	1. Arizona	48
2. UCLA	31	2. Washington	6	2. Arizona State	40
3. Oregon	29	3. Arizona State	5	3. UCLA	32
4. Washington	29	4. Stanford	5	4. Washington	27
5. Oregon State	29	5. Arizona	5	5. Oregon	18
6. Utah	26	6. California	3	6. Utah	17
7. Arizona	22	7. Oregon State	1	7. Oregon State	12
8. Stanford	18	8. Oregon	1	9. Stanford	12
9. California	15			9. California	8
Total bases		Total plate appearances		At bats	
1. Arizona	373	1. UCLA	754	1. UCLA	644
2. Arizona State	351	2. Washington	750	2. Washington	641
3. UCLA	343	3. Arizona	744	3. California	639
4. Washington	315	4. Arizona State	711	4. Arizona	623
5. Utah	241	5. California	703	5. Oregon	607
6. Oregon	235	6. Oregon	697	6. Arizona State	600
7. California	210	7. Utah	662	7. Utah	571
8. Stanford	200	8. Stanford	606	8. Oregon State	539
9. Oregon State	195	9. Oregon State	604	9. Stanford	532
Walks		Hit by pitch		Strikeouts	
1. Arizona	94	1. Utah	18	1. Arizona State	143
2. Washington	85	2. Stanford	14	2. Oregon	138
3. UCLA	85	3. Arizona State	14	3. Utah	123
4. Arizona State	82	4. California	13	4. Arizona	122
5. Oregon	71	5. Washington	11	5. California	120
6. Utah	59	6. UCLA	10	6. UCLA	120
7. Stanford	53	7. Oregon State	9	7. Oregon State	108
8. Oregon State	47	8. Arizona	9	8. Stanford	103
9. California	34	9. Oregon	8	9. Washington	83
Sac bunts		Sac flies		Stolen bases	
1. California	13	1. Arizona	9	1. Arizona State	27
2. Utah	10	2. Arizona State	7	2. UCLA	23
3. Arizona	9	3. UCLA	6	3. Oregon	18
4. UCLA	9	4. Utah	4	4. Oregon State	18
5. Washington	9	5. California	4	5. Washington	12
6. Oregon	8	6. Stanford	3	6. Utah	12
7. Arizona State	7	7. Oregon State	3	7. Stanford	7
8. Oregon State	6	8. Oregon	3	8. California	6
9. Stanford	4	9. Washington	3	9. Arizona	2

Caught stealing	
1. Utah	8
2. Washington	5
Oregon State	5
4. Oregon	3
5. UCLA	2
Arizona State	2
7. Stanford	1

Steal attempts	
1. Arizona State	29
2. UCLA	25
3. Oregon State	23
4. Oregon	21
5. Utah	20
6. Washington	17
7. Stanford	8
8. California	6
9. Arizona	2

Grounded into DP	
1. Oregon	4
2. Washington	3
Oregon State	3
Arizona	3
UCLA	3
6. Stanford	2
Utah	2
8. California	1
Arizona State	1

2019 Pac-12 Softball  
Pac-12 Pitching Leaders (as of May 12, 2019)  
(Pac-12 games only)

Hitting minimums - 75% of Games 2.5 TPA/Game  
Pitching minimums - 1.0 IP/Game

<b>Earned run avg</b>		<b>Opposing bat avg</b>		<b>Innings pitched</b>	
1. Arizona	1.59	1. UCLA	.195	1. Washington	158.0
2. UCLA	1.84	2. Arizona	.197	2. UCLA	156.0
3. Washington	2.04	3. Washington	.199	3. California	155.1
4. California	4.28	4. California	.285	4. Oregon	153.1
5. Oregon State	5.44	5. Stanford	.309	5. Arizona	149.2
6. Stanford	5.52	6. Oregon State	.312	6. Arizona State	144.1
7. Arizona State	6.16	7. Arizona State	.319	7. Utah	143.2
8. Oregon	6.25	8. Oregon	.320	8. Oregon State	136.1
9. Utah	8.33	9. Utah	.361	9. Stanford	135.2
<b>Batters struck out</b>		<b>Batters SO out looking</b>		<b>Wins</b>	
1. Washington	204	1. Washington	47	1. UCLA	20
2. UCLA	168	2. UCLA	41	Washington	20
3. Arizona	136	3. Oregon State	40	3. Arizona	19
4. Oregon State	114	4. Arizona	36	4. Arizona State	13
5. Oregon	108	5. Arizona State	28	5. Stanford	8
6. California	102	6. Oregon	26	Oregon State	8
7. Arizona State	95	7. Stanford	25	7. Utah	7
8. Stanford	81	8. California	18	8. California	5
9. Utah	52	9. Utah	16	Oregon	5
<b>Losses</b>		<b>Saves</b>		<b>Runners picked off</b>	
1. Oregon	19	1. Washington	4	1. Oregon	1
2. California	18	2. Stanford	3	Utah	1
3. Utah	17	3. Utah	2		
4. Oregon State	14	UCLA	2		
5. Stanford	13	Arizona	2		
6. Arizona State	11	Arizona State	2		
7. Arizona	5	7. California	1		
8. UCLA	4				
Washington	4				
<b>Sac bunts allowed</b>		<b>Sac flies allowed</b>		<b>Hits allowed</b>	
1. Oregon	12	1. Oregon	9	1. Arizona	106
2. Oregon State	11	2. Stanford	7	2. UCLA	112
California	11	3. Arizona State	6	3. Washington	117
4. Utah	10	Utah	6	4. Stanford	177
5. Stanford	8	Oregon State	6	5. California	182
6. Arizona	7	6. California	5	6. Oregon State	184
UCLA	7	7. Washington	3	7. Arizona State	192
Arizona State	7			8. Oregon	208
9. Washington	2			9. Utah	232
<b>Runs allowed</b>		<b>Earned runs allowed</b>		<b>Walks allowed</b>	
1. Arizona	40	1. Arizona	34	1. Washington	29
2. UCLA	45	2. UCLA	41	2. Arizona	37
3. Washington	52	3. Washington	46	3. UCLA	42
4. California	119	4. California	95	4. Stanford	54
5. Stanford	125	5. Oregon State	106	5. Oregon State	66
6. Oregon State	133	6. Stanford	107	6. Oregon	83
7. Arizona State	142	7. Arizona State	127	7. Arizona State	92
8. Oregon	166	8. Oregon	137	8. California	102
9. Utah	194	9. Utah	171	9. Utah	105
<b>Doubles allowed</b>		<b>Triples allowed</b>		<b>Home runs allowed</b>	
1. Arizona	12	1. Washington	0	1. Arizona	11
2. UCLA	18	2. Oregon State	2	2. Washington	13
3. Washington	21	Stanford	2	3. California	14
4. California	22	4. Arizona State	3	4. UCLA	16
5. Stanford	26	UCLA	3	5. Oregon State	24
6. Oregon State	29	Arizona	3	6. Stanford	30
7. Arizona State	33	7. California	6	7. Arizona State	34
8. Oregon	39	8. Oregon	7	8. Oregon	35
Utah	39	9. Utah	10	9. Utah	37



Wild pitches	
1. Utah	24
2. Oregon	23
3. Arizona State	14
4. California	11
5. Oregon State	7
6. Stanford	6
7. UCLA	4
8. Arizona	1
Washington	1

### Balks

Hit batters	
1. Oregon	26
2. Arizona State	17
3. Stanford	15
4. Oregon State	13
UCLA	13
6. Washington	7
Utah	7
8. Arizona	5
9. California	3

Intentional BB allowed	
1. Utah	2
Arizona	2
3. Oregon	1
Washington	1
Arizona State	1

2019 Pac-12 Softball  
Pac-12 Fielding Leaders (as of May 12, 2019)  
(Pac-12 games only)

Hitting minimums - 75% of Games  
Pitching minimums - 1.0 IP/Game

<b>Fielding pct</b>		<b>Chances</b>		<b>Putouts</b>	
1. Arizona	.986	1. Utah	683	1. Washington	474
2. Washington	.984	2. California	682	2. UCLA	468
3. UCLA	.971	3. Oregon	648	3. California	466
4. Arizona State	.969	4. Washington	640	4. Oregon	460
5. Stanford	.965	5. UCLA	626	5. Arizona	449
6. Utah	.965	6. Arizona	623	6. Arizona State	433
7. Oregon	.955	7. Oregon State	619	7. Utah	431
8. California	.955	8. Arizona State	579	8. Oregon State	409
9. Oregon State	.935	9. Stanford	546	9. Stanford	407
<b>Assists</b>		<b>Errors</b>		<b>Fielding double plays</b>	
1. Utah	228	1. Oregon State	40	1. Arizona State	10
2. California	185	2. California	31	Utah	10
3. Oregon State	170	3. Oregon	29	3. Oregon	8
4. Arizona	165	4. Utah	24	Oregon State	8
5. Oregon	159	5. Stanford	19	5. Arizona	6
6. Washington	156	6. Arizona State	18	6. UCLA	5
7. UCLA	140	UCLA	18	7. Washington	4
8. Arizona State	128	8. Washington	10	California	4
9. Stanford	120	9. Arizona	9	9. Stanford	3
<b>Stolen bases against</b>		<b>Caught stealing by</b>		<b>Steal attempts against</b>	
1. California	31	1. Arizona State	6	1. California	34
2. Oregon State	29	2. UCLA	5	2. Oregon State	31
3. Oregon	17	3. Oregon	4	3. Oregon	21
4. Utah	12	4. California	3	4. Arizona State	18
Arizona State	12	5. Utah	2	5. UCLA	15
6. UCLA	10	Oregon State	2	6. Utah	14
7. Washington	7	Arizona	2	7. Stanford	7
8. Stanford	5	Stanford	2	Washington	7
9. Arizona	2			9. Arizona	4
<b>Passed balls</b>		<b>Catchers interference</b>			
1. Oregon	8	1. UCLA	1		
2. Oregon State	7	Stanford	1		
3. Arizona State	4				
4. California	3				
5. Arizona	2				
Utah	2				
UCLA	2				
8. Washington	1				
Stanford	1				

2019 Pac-12 Softball  
Pac-12 Conference statistics (as of May 12, 2019)  
(Pac-12 games only Sorted by Batting avg)

Team	avg	g	ab	r	h	2b	3b	hr	rbi	tb	slg%	bb	hp	so	gdp	ob%	sf	sh	sb-att	po	a	e	fld%
UCLA	.335	24	644	154	216	31	0	32	140	343	.533	85	10	120	3	.417	6	9	23-25	468	140	18	.971
Arizona	.316	24	623	171	197	22	5	48	163	373	.599	94	9	122	3	.408	9	9	2-2	449	165	9	.986
Arizona State	.302	24	600	160	181	40	5	40	152	351	.585	82	14	143	1	.394	7	7	27-29	433	128	18	.969
Washington	.301	24	641	151	193	29	6	27	138	315	.491	85	11	83	3	.391	3	9	12-17	474	156	10	.984
California	.258	23	639	67	165	15	3	8	59	210	.329	34	13	120	1	.307	4	13	6-6	466	185	31	.955
Stanford	.256	21	532	77	136	18	5	12	64	200	.376	53	14	103	2	.337	3	4	7-8	407	120	19	.965
Utah	.252	24	571	86	144	26	10	17	79	241	.422	59	18	123	2	.339	4	10	12-20	431	228	24	.965
Oregon	.247	24	607	77	150	29	1	18	69	235	.387	71	8	138	4	.332	3	8	18-21	460	159	29	.955
Oregon State	.237	22	539	73	128	29	1	12	61	195	.362	47	9	108	3	.308	3	6	18-23	409	170	40	.935
Totals	.280	210	5396	1016	1510	239	36	214	925	2463	.456	610	106	1060	22	.362	42	75	125-151	3997	1451	198	.965

(Pac-12 games only Sorted by Earned run avg)

Team	era	w-l	g	cg	sho	sv	ip	h	r	er	bb	so	2b	3b	hr	b/avg	wp	hp	bk	sfa	sha
Arizona	1.59	19-5	24	14	8/1	2	149.2	106	40	34	37	136	12	3	11	.197	1	5	0	0	7
UCLA	1.84	20-4	24	13	9/2	2	156.0	112	45	41	42	168	18	3	16	.195	4	13	0	0	7
Washington	2.04	20-4	24	14	9/2	4	158.0	117	52	46	29	204	21	0	13	.199	1	7	0	3	2
California	4.28	5-18	23	8	1/0	1	155.1	182	119	95	102	102	22	6	14	.285	11	3	0	5	11
Oregon State	5.44	8-14	22	13	1/0	0	136.1	184	133	106	66	114	29	2	24	.312	7	13	0	6	11
Stanford	5.52	8-13	21	6	0/0	3	135.2	177	125	107	54	81	26	2	30	.309	6	15	0	7	8
Arizona State	6.16	13-11	24	5	2/1	2	144.1	192	142	127	92	95	33	3	34	.319	14	17	0	6	7
Oregon	6.25	5-19	24	9	2/0	0	153.1	208	166	137	83	108	39	7	35	.320	23	26	0	9	12
Utah	8.33	7-17	24	5	0/0	2	143.2	232	194	171	105	52	39	10	37	.361	24	7	0	6	10
Totals	4.54	105-105	210	87	32/6	16	1332.1	1510	1016	864	610	1060	239	36	214	.280	91	106	0	42	75

(Pac-12 games only Sorted by Fielding pct)

Team	c	po	a	e	fld%	dp	sba	csb	sba%	pb	ci
Arizona	623	449	165	9	.986	6	2	2	.500	2	0
Washington	640	474	156	10	.984	4	7	0	1.000	1	0
UCLA	626	468	140	18	.971	5	10	5	.667	2	1
Arizona State	579	433	128	18	.969	10	12	6	.667	4	0
Stanford	546	407	120	19	.965	3	5	2	.714	1	1
Utah	683	431	228	24	.965	10	12	2	.857	2	0
Oregon	648	460	159	29	.955	8	17	4	.810	8	0
California	682	466	185	31	.955	4	31	3	.912	3	0
Oregon State	619	409	170	40	.935	8	29	2	.935	7	0
Totals	5646	3997	1451	198	.965	58	125	26	.828	30	2

2019 Pac-12 Softball  
Pac-12 Batting Leaders (as of May 12, 2019)  
(Pac-12 games only)

Hitting minimums - 75% of Games 2.5 TPA/Game  
Pitching minimums - 1.0 IP/Game

<b>Batting avg</b>		<b>Slugging pct</b>		<b>On base pct</b>	
1. Nickles, Bub-UCLA	.462	1. Flores, Morg-WASH	.881	1. Nickles, Bub-UCLA	.527
2. Carranco, Re-ARIZ	.448	2. Hackbarth, K-ASU	.863	2. Mulipola, De-ARIZ	.506
3. Bates, Sis-WASH	.438	3. Mulipola, De-ARIZ	.833	3. Bates, Sis-WASH	.500
4. Weeks, Shelb-OSU	.403	4. Hackbarth, M-ASU	.780	Flores, Morg-WASH	.500
5. Howe, Morgan-ASU	.400	5. Harper, Jess-ARIZ	.766	5. Palomino, AI-ARIZ	.495
Barrera, Aly-UTAH	.400	6. Chatman, DeN-ASU	.738	6. Garcia-UCLA	.494
7. Hackbarth, K-ASU	.397	7. Nickles, Bub-UCLA	.718	7. Howe, Morgan-ASU	.494
8. Garcia-UCLA	.391	8. Howe, Morgan-ASU	.714	8. Carranco, Re-ARIZ	.485
9. Bunker, Alle-ORE	.380	Pack, Taylor-UCLA	.714	9. Hackbarth, K-ASU	.482
10. Cruse, Haley-ORE	.373	10. Palomino, AI-ARIZ	.704	10. Pack, Taylor-UCLA	.474
11. Palomino, AI-ARIZ	.366	11. Milloy, Amir-WASH	.678	11. Barrera, Aly-UTAH	.473
<b>Runs scored</b>		<b>Hits</b>		<b>Runs batted in</b>	
1. Bates, Sis-WASH	30	1. Nickles, Bub-UCLA	36	1. Martinez, Ma-ARIZ	31
2. Hackbarth, K-ASU	25	2. Bates, Sis-WASH	35	2. Nickles, Bub-UCLA	28
Harper, Jess-ARIZ	25	3. Bunker, Alle-ORE	30	3. Mulipola, De-ARIZ	27
Palomino, AI-ARIZ	25	4. Hackbarth, K-ASU	29	Harper, Jess-ARIZ	27
5. Howe, Morgan-ASU	23	5. Rood, Lindsa-CAL	28	5. Flores, Morg-WASH	26
Mulipola, De-ARIZ	23	Howe, Morgan-ASU	28	6. Chatman, DeN-ASU	25
Nickles, Bub-UCLA	23	7. Garcia-UCLA	27	Hackbarth, K-ASU	25
8. Perez, Brian-UCLA	22	Weeks, Shelb-OSU	27	Reynolds, Sa-WASH	25
Flores, Morg-WASH	22	9. Palomino, AI-ARIZ	26	9. Howe, Morgan-ASU	24
10. Carranco, Re-ARIZ	21	Barrera, Aly-UTAH	26	10. Pack, Taylor-UCLA	22
Jordan, Aali-UCLA	21	Carranco, Re-ARIZ	26	11. Jordan, Aali-UCLA	21
<b>Doubles</b>		<b>Triples</b>		<b>Home runs</b>	
1. Sievers, Jas-ORE	9	1. Barrera, Aly-UTAH	5	1. Flores, Morg-WASH	11
2. Reynolds, Sa-WASH	8	2. Bates, Sis-WASH	2	2. Mulipola, De-ARIZ	10
Milloy, Amir-WASH	8	Milloy, Amir-WASH	2	Hackbarth, M-ASU	10
Howe, Morgan-ASU	8	Blueford, De-CAL	2	Harper, Jess-ARIZ	10
5. Hackbarth, K-ASU	7	Dickman, All-UTAH	2	5. Hackbarth, K-ASU	9
Pack, Taylor-UCLA	7	Kean, Jenna-ARIZ	2	6. Martinez, Ma-ARIZ	7
Gortarez, Ja-ASU	7	Schultz, Emi-STAN	2	7. Chatman, DeN-ASU	6
8. Bonstrom, El-UTAH	6	8. 19 tied at.....	1	Pierce, Ryle-ARIZ	6
Jordan, Aali-UCLA	6			Palomino, AI-ARIZ	6
Bates, Sis-WASH	6			10. 4 tied at.....	5
Ybarra, Camr-OSU	6				
<b>Total bases</b>		<b>Walks</b>		<b>Hit by pitch</b>	
1. Hackbarth, K-ASU	63	1. Mulipola, De-ARIZ	22	1. Castaneda, B-UTAH	7
2. Flores, Morg-WASH	59	2. Palomino, AI-ARIZ	17	2. Barrera, Aly-UTAH	5
Harper, Jess-ARIZ	59	Flores, Morg-WASH	17	3. Blueford, De-CAL	4
4. Nickles, Bub-UCLA	56	4. Hackbarth, M-ASU	15	McCarty, Sky-ASU	4
5. Mulipola, De-ARIZ	50	5. Garcia-UCLA	14	5. 9 tied at.....	3
Palomino, AI-ARIZ	50	6. Utecht, Apri-ORE	13		
Howe, Morgan-ASU	50	Sullivan, Co-UCLA	13		
8. Jordan, Aali-UCLA	46	Bonstrom, El-UTAH	13		
Reynolds, Sa-WASH	46	9. Howe, Morgan-ASU	12		
Martinez, Ma-ARIZ	46	Pack, Taylor-UCLA	12		
Hackbarth, M-ASU	46	11. 6 tied at.....	11		
<b>Sac bunts</b>		<b>Sac flies</b>		<b>Stolen bases</b>	
1. Blueford, De-CAL	4	1. Carranco, Re-ARIZ	3	1. Hackbarth, K-ASU	8
Martinez, Ha-ARIZ	4	Chatman, DeN-ASU	3	Perez, Brian-UCLA	8
Godin, Kelli-UCLA	4	3. Perez, Brian-UCLA	2	3. Rood, Lindsa-CAL	6
4. Fines, Jorda-CAL	3	Reynolds, Sa-WASH	2	Loomis, Bell-ASU	6
Flores, Morg-WASH	3	Harper, Jess-ARIZ	2	Godin, Kelli-UCLA	6
Carranco, Re-ARIZ	3	Hilburn, Hai-UTAH	2	Weeks, Shelb-OSU	6
Gortarez, Ja-ASU	3	Young, Emily-STAN	2	7. Garcia, Jess-OSU	5
Castaneda, B-UTAH	3	Martinez, Ha-ARIZ	2	8. 6 tied at.....	4
9. 9 tied at.....	2	Loomis, Bell-ASU	2		
		10. 22 tied at.....	1		

Total plate appearances	
1. Bates, Sis-WASH	92
2. Nickles, Bub-UCLA	91
Flores, Morg-WASH	91
Perez, Brian-UCLA	91
Palomino, Al-ARIZ	91
6. Rood, Lindsa-CAL	89
7. Harper, Jess-ARIZ	88
8. McCarty, Sky-ASU	87
9. Mulipola, De-ARIZ	85
Garcia-UCLA	85
Hackbarth, K-ASU	85

At bats	
1. Rood, Lindsa-CAL	84
2. Bates, Sis-WASH	80
Perez, Brian-UCLA	80
4. Bunker, Alle-ORE	79
5. Nickles, Bub-UCLA	78
McCarty, Sky-ASU	78
7. Harper, Jess-ARIZ	77
8. Martinez, Ma-ARIZ	75
9. Dickman, All-UTAH	74
Noskin, Juli-UTAH	74
Espalin, Lau-CAL	74

Steal attempts	
1. Hackbarth, K-ASU	8
Weeks, Shelb-OSU	8
Perez, Brian-UCLA	8
4. Godin, Kelli-UCLA	7
5. Garcia, Jess-OSU	6
Loomis, Bell-ASU	6
Rood, Lindsa-CAL	6
8. Bunker, Alle-ORE	5
Bates, Sis-WASH	5
Washington,-UCLA	5
11. 5 tied at.....	4

Strikeouts	
1. Wagner, Lexi-ORE	24
2. Faulk, Katie-UTAH	22
3. Klingaman, E-STAN	21
Chatman, DeN-ASU	21
5. Godin, Kelli-UCLA	20
6. Hackbarth, M-ASU	19
7. Mulipola, De-ARIZ	18
8. Burks, Whitn-STAN	17
Hurst, Makay-UTAH	17
10. Perez, Alexa-CAL	16
Sievers, Jas-ORE	16

Caught stealing	
1. Weeks, Shelb-OSU	2
Dickman, All-UTAH	2
Atlee, Taryn-WASH	2
Gortarez, Ja-ASU	2
Ball, Ryley-UTAH	2
6. 16 tied at.....	1

Grounded into DP	
1. Utecht, Apri-ORE	2
2. 20 tied at.....	1

2019 Pac-12 Softball  
Pac-12 Pitching Leaders (as of May 12, 2019)  
(Pac-12 games only)

Hitting minimums - 75% of Games 2.5 TPA/Game  
Pitching minimums - 1.0 IP/Game

<b>Earned run avg</b>		<b>Opposing bat avg</b>		<b>Innings pitched</b>	
1. Garcia-UCLA	1.40	1. Denham, Alys-ARIZ	.175	1. Dail, Jordan-ORE	115.0
2. McQuillin, T-ARIZ	1.59	2. Plain, Gabbi-WASH	.178	2. Mazon, Maria-OSU	101.1
3. Plain, Gabbi-WASH	1.63	3. Faraimo, Meg-UCLA	.186	3. Conley, Zoe-CAL	87.2
4. Denham, Alys-ARIZ	1.71	4. Garcia-UCLA	.190	4. Plain, Gabbi-WASH	86.0
5. Faraimo, Meg-UCLA	1.81	5. McQuillin, T-ARIZ	.208	5. McQuillin, T-ARIZ	79.1
6. Alvelo, Tara-WASH	2.53	6. Azevedo, Hol-UCLA	.215	6. Lee, Carolyn-STAN	76.2
7. Azevedo, Hol-UCLA	2.58	7. Alvelo, Tara-WASH	.223	7. Alvelo, Tara-WASH	72.0
8. Dung, Kamala-CAL	3.00	8. Dung, Kamala-CAL	.239	8. Dung, Kamala-CAL	65.1
9. Mazon, Maria-OSU	3.52	9. Lee, Carolyn-STAN	.278	9. Garcia-UCLA	65.0
10. Conley, Zoe-CAL	4.63	10. Mazon, Maria-OSU	.280	10. Hilburn, Hai-UTAH	57.2
11. Lee, Carolyn-STAN	5.11	11. Meza, Cielo-ASU	.283	11. Mejia, Saman-ASU	52.2
<b>Batters struck out</b>		<b>Batters SO out looking</b>		<b>Wins</b>	
1. Plain, Gabbi-WASH	104	1. Alvelo, Tara-WASH	26	1. McQuillin, T-ARIZ	12
2. Alvelo, Tara-WASH	100	2. Mazon, Maria-OSU	22	2. Alvelo, Tara-WASH	10
3. Dail, Jordan-ORE	92	3. Plain, Gabbi-WASH	21	Plain, Gabbi-WASH	10
4. Mazon, Maria-OSU	87	Dail, Jordan-ORE	21	4. Garcia-UCLA	9
5. Garcia-UCLA	84	5. Faraimo, Meg-UCLA	20	5. Mazon, Maria-OSU	8
6. McQuillin, T-ARIZ	79	6. McQuillin, T-ARIZ	19	6. Faraimo, Meg-UCLA	7
7. Conley, Zoe-CAL	57	7. Garcia-UCLA	15	7. Sandez, Sydn-UTAH	6
8. Faraimo, Meg-UCLA	55	8. Mejia, Saman-ASU	13	Lee, Carolyn-STAN	6
9. Mejia, Saman-ASU	48	9. Lee, Carolyn-STAN	12	9. Meza, Cielo-ASU	5
10. Lee, Carolyn-STAN	44	Meza, Cielo-ASU	12	10. 4 tied at.....	4
11. Dung, Kamala-CAL	43	11. Conley, Zoe-CAL	11		
<b>Saves</b>		<b>Appearances</b>		<b>Games started</b>	
1. Pancino, Kia-STAN	3	1. Dail, Jordan-ORE	22	1. Dail, Jordan-ORE	20
Plain, Gabbi-WASH	3	2. Conley, Zoe-CAL	20	2. Mazon, Maria-OSU	15
3. 10 tied at.....	1	3. Mejia, Saman-ASU	18	3. Hilburn, Hai-UTAH	14
		Mazon, Maria-OSU	18	4. McQuillin, T-ARIZ	13
		Plain, Gabbi-WASH	18	Conley, Zoe-CAL	13
		6. Dung, Kamala-CAL	17	Lee, Carolyn-STAN	13
		7. Alvelo, Tara-WASH	16	Plain, Gabbi-WASH	13
		Hilburn, Hai-UTAH	16	8. Alvelo, Tara-WASH	11
		9. Meza, Cielo-ASU	15	9. Mejia, Saman-ASU	10
		Lee, Carolyn-STAN	15	10. Faraimo, Meg-UCLA	9
		Sandez, Sydn-UTAH	15	11. 3 tied at.....	8
<b>Games finished</b>		<b>Games in relief</b>		<b>Sac bunts allowed</b>	
1. Dung, Kamala-CAL	8	1. Pancino, Kia-STAN	9	1. Dail, Jordan-ORE	11
2. Mejia, Saman-ASU	7	Dung, Kamala-CAL	9	2. Mazon, Maria-OSU	7
3. Sandez, Sydn-UTAH	6	Sandez, Sydn-UTAH	9	3. Conley, Zoe-CAL	6
Azevedo, Hol-UCLA	6	4. Meza, Cielo-ASU	8	4. Dung, Kamala-CAL	5
Bauer, Nikki-STAN	6	Mejia, Saman-ASU	8	5. Hilburn, Hai-UTAH	4
Conley, Zoe-CAL	6	Lynch, Jess-UTAH	8	Meza, Cielo-ASU	4
Pancino, Kia-STAN	6	8. Azevedo, Hol-UCLA	7	Lee, Carolyn-STAN	4
Meza, Cielo-ASU	6	Ladner, Chan-UTAH	7	8. 6 tied at.....	3
Krueger, K.-ORE	6	Conley, Zoe-CAL	7		
10. 3 tied at.....	5	11. 2 tied at.....	6		
<b>Sac flies allowed</b>		<b>Losses</b>		<b>Runners picked off</b>	
1. Dail, Jordan-ORE	7	1. Dail, Jordan-ORE	13	1. Faulk, Katie-UTAH	1
2. Lee, Carolyn-STAN	5	2. Conley, Zoe-CAL	12	Bowden, Shay-ORE	1
3. Andersen, Ab-ASU	4	3. Hilburn, Hai-UTAH	9		
4. Nelson, Meeh-OSU	3	Mazon, Maria-OSU	9		
Ladner, Chan-UTAH	3	5. Lee, Carolyn-STAN	7		
Conley, Zoe-CAL	3	6. Mejia, Saman-ASU	6		
7. Alvelo, Tara-WASH	2	Dung, Kamala-CAL	6		
Mazon, Maria-OSU	2	8. Nelson, Meeh-OSU	5		
Bauer, Nikki-STAN	2	9. Sandez, Sydn-UTAH	4		
Hilburn, Hai-UTAH	2	Andersen, Ab-ASU	4		
Dung, Kamala-CAL	2	11. 4 tied at.....	3		

Wild pitches		
1. Dail, Jordan-ORE		14
2. Hilburn, Hai-UTAH		9
3. Feldman, Cla-UTAH		8
4. Andersen, Ab-ASU		6
5. Mejia, Saman-ASU		5
Dung, Kamala-CAL		5
Conley, Zoe-CAL		5
8. Lynch, Jess-UTAH		4
MacGrandle,-ORE		4
10. 3 tied at.....		3

Balks		

Hit batters		
1. Dail, Jordan-ORE		21
2. Lee, Carolyn-STAN		9
3. Mazon, Maria-OSU		7
Garcia-UCLA		7
5. Nelson, Meeh-OSU		5
Andersen, Ab-ASU		5
Alvelo, Tara-WASH		5
Mejia, Saman-ASU		5
Azevedo, Hol-UCLA		5
10. Meza, Cielo-ASU		4
Dwyer, Maddy-STAN		4

Intentional BB allowed		
1. McQuillin, T-ARIZ		2
2. Hilburn, Hai-UTAH		1
Sandez, Sydn-UTAH		1
MacGrandle,-ORE		1
Meza, Cielo-ASU		1
Alvelo, Tara-WASH		1

Hits allowed		
1. Denham, Alys-ARIZ		27
2. Azevedo, Hol-UCLA		31
3. Faraimo, Meg-UCLA		35
4. Garcia-UCLA		46
5. Meza, Cielo-ASU		56
Plain, Gabbi-WASH		56
7. Dung, Kamala-CAL		59
8. Mejia, Saman-ASU		61
Alvelo, Tara-WASH		61
McQuillin, T-ARIZ		61
11. Andersen, Ab-ASU		64

Runs allowed		
1. Denham, Alys-ARIZ		13
2. Faraimo, Meg-UCLA		14
3. Azevedo, Hol-UCLA		15
4. Garcia-UCLA		16
5. McQuillin, T-ARIZ		21
6. Plain, Gabbi-WASH		24
7. Alvelo, Tara-WASH		28
8. Dung, Kamala-CAL		37
9. Meza, Cielo-ASU		41
10. Andersen, Ab-ASU		44
11. Mejia, Saman-ASU		50

Earned runs allowed		
1. Denham, Alys-ARIZ		11
2. Faraimo, Meg-UCLA		13
Garcia-UCLA		13
4. Azevedo, Hol-UCLA		15
5. McQuillin, T-ARIZ		18
6. Plain, Gabbi-WASH		20
7. Alvelo, Tara-WASH		26
8. Dung, Kamala-CAL		28
9. Meza, Cielo-ASU		37
10. Andersen, Ab-ASU		38
11. Mejia, Saman-ASU		48

Walks allowed		
1. Azevedo, Hol-UCLA		12
2. Faraimo, Meg-UCLA		13
3. Alvelo, Tara-WASH		14
4. Plain, Gabbi-WASH		15
5. McQuillin, T-ARIZ		16
6. Garcia-UCLA		17
7. Denham, Alys-ARIZ		18
8. Sandez, Sydn-UTAH		19
9. Meza, Cielo-ASU		24
10. Lee, Carolyn-STAN		25
11. Mejia, Saman-ASU		31

Doubles allowed		
1. Denham, Alys-ARIZ		2
2. Azevedo, Hol-UCLA		3
3. Faraimo, Meg-UCLA		7
Meza, Cielo-ASU		7
5. Garcia-UCLA		8
McQuillin, T-ARIZ		8
7. Hilburn, Hai-UTAH		9
8. Alvelo, Tara-WASH		10
Dung, Kamala-CAL		10
10. Mejia, Saman-ASU		11
Conley, Zoe-CAL		11

Triples allowed		
1. Andersen, Ab-ASU		0
Plain, Gabbi-WASH		0
Alvelo, Tara-WASH		0
Garcia-UCLA		0
5. Faraimo, Meg-UCLA		1
Lee, Carolyn-STAN		1
Mejia, Saman-ASU		1
Denham, Alys-ARIZ		1
9. Mazon, Maria-OSU		2
Dung, Kamala-CAL		2
McQuillin, T-ARIZ		2

Home runs allowed		
1. Denham, Alys-ARIZ		3
2. Garcia-UCLA		4
Hilburn, Hai-UTAH		4
4. McQuillin, T-ARIZ		5
Dung, Kamala-CAL		5
6. Azevedo, Hol-UCLA		6
Alvelo, Tara-WASH		6
Faraimo, Meg-UCLA		6
9. Plain, Gabbi-WASH		7
Andersen, Ab-ASU		7
11. Conley, Zoe-CAL		8

2019 Pac-12 Softball  
Pac-12 Fielding Leaders (as of May 12, 2019)  
(Pac-12 games only)

Hitting minimums - 75% of Games  
Pitching minimums - 1.0 IP/Game

<table border="0"> <thead> <tr> <th colspan="2">Fielding pct</th> </tr> </thead> <tbody> <tr><td>1. Flores, Morg-WASH</td><td>1.000</td></tr> <tr><td>Gibson, Kaij-WASH</td><td>1.000</td></tr> <tr><td>Palacios, Al-UTAH</td><td>1.000</td></tr> <tr><td>Halstead, Pa-UCLA</td><td>1.000</td></tr> <tr><td>Howell, Hann-STAN</td><td>1.000</td></tr> <tr><td>Garcia-UCLA</td><td>1.000</td></tr> <tr><td>Godin, Kelli-UCLA</td><td>1.000</td></tr> <tr><td>Palomino, Al-ARIZ</td><td>1.000</td></tr> <tr><td>Reynolds, Sa-WASH</td><td>1.000</td></tr> <tr><td>Hackbarth, K-ASU</td><td>1.000</td></tr> <tr><td>Garcia, Jess-OSU</td><td>1.000</td></tr> </tbody> </table>	Fielding pct		1. Flores, Morg-WASH	1.000	Gibson, Kaij-WASH	1.000	Palacios, Al-UTAH	1.000	Halstead, Pa-UCLA	1.000	Howell, Hann-STAN	1.000	Garcia-UCLA	1.000	Godin, Kelli-UCLA	1.000	Palomino, Al-ARIZ	1.000	Reynolds, Sa-WASH	1.000	Hackbarth, K-ASU	1.000	Garcia, Jess-OSU	1.000	<table border="0"> <thead> <tr> <th colspan="2">Chances</th> </tr> </thead> <tbody> <tr><td>1. Flores, Morg-WASH</td><td>209</td></tr> <tr><td>2. Smith, Maken-CAL</td><td>166</td></tr> <tr><td>3. Hammoude, Fr-OSU</td><td>158</td></tr> <tr><td>4. Pierce, Ryle-ARIZ</td><td>152</td></tr> <tr><td>5. Mulipola, De-ARIZ</td><td>148</td></tr> <tr><td>6. Gibson, Kaij-WASH</td><td>143</td></tr> <tr><td>7. Palacios, Al-UTAH</td><td>138</td></tr> <tr><td>8. Halstead, Pa-UCLA</td><td>132</td></tr> <tr><td>9. Shafer, Kayl-OSU</td><td>124</td></tr> <tr><td>10. Chatman, DeN-ASU</td><td>123</td></tr> <tr><td>11. Utecht, Apri-ORE</td><td>122</td></tr> </tbody> </table>	Chances		1. Flores, Morg-WASH	209	2. Smith, Maken-CAL	166	3. Hammoude, Fr-OSU	158	4. Pierce, Ryle-ARIZ	152	5. Mulipola, De-ARIZ	148	6. Gibson, Kaij-WASH	143	7. Palacios, Al-UTAH	138	8. Halstead, Pa-UCLA	132	9. Shafer, Kayl-OSU	124	10. Chatman, DeN-ASU	123	11. Utecht, Apri-ORE	122	<table border="0"> <thead> <tr> <th colspan="2">Putouts</th> </tr> </thead> <tbody> <tr><td>1. Flores, Morg-WASH</td><td>208</td></tr> <tr><td>2. Pierce, Ryle-ARIZ</td><td>148</td></tr> <tr><td>3. Smith, Maken-CAL</td><td>147</td></tr> <tr><td>4. Hammoude, Fr-OSU</td><td>146</td></tr> <tr><td>5. Gibson, Kaij-WASH</td><td>142</td></tr> <tr><td>6. Mulipola, De-ARIZ</td><td>138</td></tr> <tr><td>7. Palacios, Al-UTAH</td><td>133</td></tr> <tr><td>8. Halstead, Pa-UCLA</td><td>124</td></tr> <tr><td>9. Chatman, DeN-ASU</td><td>116</td></tr> <tr><td>10. Burks, Whitn-STAN</td><td>112</td></tr> <tr><td>11. 2 tied at.....</td><td>111</td></tr> </tbody> </table>	Putouts		1. Flores, Morg-WASH	208	2. Pierce, Ryle-ARIZ	148	3. Smith, Maken-CAL	147	4. Hammoude, Fr-OSU	146	5. Gibson, Kaij-WASH	142	6. Mulipola, De-ARIZ	138	7. Palacios, Al-UTAH	133	8. Halstead, Pa-UCLA	124	9. Chatman, DeN-ASU	116	10. Burks, Whitn-STAN	112	11. 2 tied at.....	111
Fielding pct																																																																										
1. Flores, Morg-WASH	1.000																																																																									
Gibson, Kaij-WASH	1.000																																																																									
Palacios, Al-UTAH	1.000																																																																									
Halstead, Pa-UCLA	1.000																																																																									
Howell, Hann-STAN	1.000																																																																									
Garcia-UCLA	1.000																																																																									
Godin, Kelli-UCLA	1.000																																																																									
Palomino, Al-ARIZ	1.000																																																																									
Reynolds, Sa-WASH	1.000																																																																									
Hackbarth, K-ASU	1.000																																																																									
Garcia, Jess-OSU	1.000																																																																									
Chances																																																																										
1. Flores, Morg-WASH	209																																																																									
2. Smith, Maken-CAL	166																																																																									
3. Hammoude, Fr-OSU	158																																																																									
4. Pierce, Ryle-ARIZ	152																																																																									
5. Mulipola, De-ARIZ	148																																																																									
6. Gibson, Kaij-WASH	143																																																																									
7. Palacios, Al-UTAH	138																																																																									
8. Halstead, Pa-UCLA	132																																																																									
9. Shafer, Kayl-OSU	124																																																																									
10. Chatman, DeN-ASU	123																																																																									
11. Utecht, Apri-ORE	122																																																																									
Putouts																																																																										
1. Flores, Morg-WASH	208																																																																									
2. Pierce, Ryle-ARIZ	148																																																																									
3. Smith, Maken-CAL	147																																																																									
4. Hammoude, Fr-OSU	146																																																																									
5. Gibson, Kaij-WASH	142																																																																									
6. Mulipola, De-ARIZ	138																																																																									
7. Palacios, Al-UTAH	133																																																																									
8. Halstead, Pa-UCLA	124																																																																									
9. Chatman, DeN-ASU	116																																																																									
10. Burks, Whitn-STAN	112																																																																									
11. 2 tied at.....	111																																																																									
<table border="0"> <thead> <tr> <th colspan="2">Assists</th> </tr> </thead> <tbody> <tr><td>1. Bonstrom, El-UTAH</td><td>65</td></tr> <tr><td>2. Noskin, Juli-UTAH</td><td>64</td></tr> <tr><td>3. Bunker, Alle-ORE</td><td>56</td></tr> <tr><td>4. Rood, Lindsa-CAL</td><td>50</td></tr> <tr><td>5. Martinez, Ma-ARIZ</td><td>45</td></tr> <tr><td>Bates, Sis-WASH</td><td>45</td></tr> <tr><td>7. Harper, Jess-ARIZ</td><td>43</td></tr> <tr><td>8. Castaneda, B-UTAH</td><td>42</td></tr> <tr><td>9. Atlee, Taryn-WASH</td><td>40</td></tr> <tr><td>10. Nunes, Missy-OSU</td><td>37</td></tr> <tr><td>Young, Emily-STAN</td><td>37</td></tr> </tbody> </table>	Assists		1. Bonstrom, El-UTAH	65	2. Noskin, Juli-UTAH	64	3. Bunker, Alle-ORE	56	4. Rood, Lindsa-CAL	50	5. Martinez, Ma-ARIZ	45	Bates, Sis-WASH	45	7. Harper, Jess-ARIZ	43	8. Castaneda, B-UTAH	42	9. Atlee, Taryn-WASH	40	10. Nunes, Missy-OSU	37	Young, Emily-STAN	37	<table border="0"> <thead> <tr> <th colspan="2">Fielding double plays</th> </tr> </thead> <tbody> <tr><td>1. Chatman, DeN-ASU</td><td>8</td></tr> <tr><td>Palacios, Al-UTAH</td><td>8</td></tr> <tr><td>3. Noskin, Juli-UTAH</td><td>7</td></tr> <tr><td>4. Hammoude, Fr-OSU</td><td>5</td></tr> <tr><td>Harper, Jess-ARIZ</td><td>5</td></tr> <tr><td>6. Pierce, Ryle-ARIZ</td><td>4</td></tr> <tr><td>Gortarez, Ja-ASU</td><td>4</td></tr> <tr><td>Loomis, Bell-ASU</td><td>4</td></tr> <tr><td>Carranco, Re-ARIZ</td><td>4</td></tr> <tr><td>Bonstrom, El-UTAH</td><td>4</td></tr> <tr><td>Rader, Maia-OSU</td><td>4</td></tr> </tbody> </table>	Fielding double plays		1. Chatman, DeN-ASU	8	Palacios, Al-UTAH	8	3. Noskin, Juli-UTAH	7	4. Hammoude, Fr-OSU	5	Harper, Jess-ARIZ	5	6. Pierce, Ryle-ARIZ	4	Gortarez, Ja-ASU	4	Loomis, Bell-ASU	4	Carranco, Re-ARIZ	4	Bonstrom, El-UTAH	4	Rader, Maia-OSU	4	<table border="0"> <thead> <tr> <th colspan="2">Passed balls</th> </tr> </thead> <tbody> <tr><td>1. Shafer, Kayl-OSU</td><td>7</td></tr> <tr><td>2. Utecht, Apri-ORE</td><td>5</td></tr> <tr><td>3. Hackbarth, M-ASU</td><td>4</td></tr> <tr><td>4. Bowden, Shay-ORE</td><td>3</td></tr> <tr><td>Smith, Maken-CAL</td><td>3</td></tr> <tr><td>6. Faulk, Katie-UTAH</td><td>2</td></tr> <tr><td>Mulipola, De-ARIZ</td><td>2</td></tr> <tr><td>Halstead, Pa-UCLA</td><td>2</td></tr> <tr><td>9. Flores, Morg-WASH</td><td>1</td></tr> <tr><td>Dixon, Monta-STAN</td><td>1</td></tr> </tbody> </table>	Passed balls		1. Shafer, Kayl-OSU	7	2. Utecht, Apri-ORE	5	3. Hackbarth, M-ASU	4	4. Bowden, Shay-ORE	3	Smith, Maken-CAL	3	6. Faulk, Katie-UTAH	2	Mulipola, De-ARIZ	2	Halstead, Pa-UCLA	2	9. Flores, Morg-WASH	1	Dixon, Monta-STAN	1		
Assists																																																																										
1. Bonstrom, El-UTAH	65																																																																									
2. Noskin, Juli-UTAH	64																																																																									
3. Bunker, Alle-ORE	56																																																																									
4. Rood, Lindsa-CAL	50																																																																									
5. Martinez, Ma-ARIZ	45																																																																									
Bates, Sis-WASH	45																																																																									
7. Harper, Jess-ARIZ	43																																																																									
8. Castaneda, B-UTAH	42																																																																									
9. Atlee, Taryn-WASH	40																																																																									
10. Nunes, Missy-OSU	37																																																																									
Young, Emily-STAN	37																																																																									
Fielding double plays																																																																										
1. Chatman, DeN-ASU	8																																																																									
Palacios, Al-UTAH	8																																																																									
3. Noskin, Juli-UTAH	7																																																																									
4. Hammoude, Fr-OSU	5																																																																									
Harper, Jess-ARIZ	5																																																																									
6. Pierce, Ryle-ARIZ	4																																																																									
Gortarez, Ja-ASU	4																																																																									
Loomis, Bell-ASU	4																																																																									
Carranco, Re-ARIZ	4																																																																									
Bonstrom, El-UTAH	4																																																																									
Rader, Maia-OSU	4																																																																									
Passed balls																																																																										
1. Shafer, Kayl-OSU	7																																																																									
2. Utecht, Apri-ORE	5																																																																									
3. Hackbarth, M-ASU	4																																																																									
4. Bowden, Shay-ORE	3																																																																									
Smith, Maken-CAL	3																																																																									
6. Faulk, Katie-UTAH	2																																																																									
Mulipola, De-ARIZ	2																																																																									
Halstead, Pa-UCLA	2																																																																									
9. Flores, Morg-WASH	1																																																																									
Dixon, Monta-STAN	1																																																																									
<table border="0"> <thead> <tr> <th colspan="2">Catchers interference</th> </tr> </thead> <tbody> <tr><td>1. Dixon, Monta-STAN</td><td>1</td></tr> <tr><td>Sullivan, Co-UCLA</td><td>1</td></tr> </tbody> </table>	Catchers interference		1. Dixon, Monta-STAN	1	Sullivan, Co-UCLA	1	<table border="0"> <thead> <tr> <th colspan="2">Steal attempts against</th> </tr> </thead> <tbody> <tr><td>1. Shafer, Kayl-OSU</td><td>29</td></tr> <tr><td>2. Conley, Zoe-CAL</td><td>22</td></tr> <tr><td>3. Smith, Maken-CAL</td><td>21</td></tr> <tr><td>4. Hackbarth, M-ASU</td><td>18</td></tr> <tr><td>5. Dail, Jordan-ORE</td><td>17</td></tr> <tr><td>6. Mazon, Maria-OSU</td><td>16</td></tr> <tr><td>7. Faulk, Katie-UTAH</td><td>14</td></tr> <tr><td>8. Espalin, Lau-CAL</td><td>13</td></tr> <tr><td>9. Bowden, Shay-ORE</td><td>12</td></tr> <tr><td>10. Dung, Kamala-CAL</td><td>11</td></tr> <tr><td>Halstead, Pa-UCLA</td><td>11</td></tr> </tbody> </table>	Steal attempts against		1. Shafer, Kayl-OSU	29	2. Conley, Zoe-CAL	22	3. Smith, Maken-CAL	21	4. Hackbarth, M-ASU	18	5. Dail, Jordan-ORE	17	6. Mazon, Maria-OSU	16	7. Faulk, Katie-UTAH	14	8. Espalin, Lau-CAL	13	9. Bowden, Shay-ORE	12	10. Dung, Kamala-CAL	11	Halstead, Pa-UCLA	11	<table border="0"> <thead> <tr> <th colspan="2">Stolen bases against</th> </tr> </thead> <tbody> <tr><td>1. Shafer, Kayl-OSU</td><td>27</td></tr> <tr><td>2. Conley, Zoe-CAL</td><td>22</td></tr> <tr><td>3. Smith, Maken-CAL</td><td>18</td></tr> <tr><td>4. Mazon, Maria-OSU</td><td>15</td></tr> <tr><td>5. Dail, Jordan-ORE</td><td>14</td></tr> <tr><td>6. Espalin, Lau-CAL</td><td>13</td></tr> <tr><td>7. Hackbarth, M-ASU</td><td>12</td></tr> <tr><td>Faulk, Katie-UTAH</td><td>12</td></tr> <tr><td>9. Bowden, Shay-ORE</td><td>9</td></tr> <tr><td>10. Nelson, Meeh-OSU</td><td>8</td></tr> <tr><td>Dung, Kamala-CAL</td><td>8</td></tr> </tbody> </table>	Stolen bases against		1. Shafer, Kayl-OSU	27	2. Conley, Zoe-CAL	22	3. Smith, Maken-CAL	18	4. Mazon, Maria-OSU	15	5. Dail, Jordan-ORE	14	6. Espalin, Lau-CAL	13	7. Hackbarth, M-ASU	12	Faulk, Katie-UTAH	12	9. Bowden, Shay-ORE	9	10. Nelson, Meeh-OSU	8	Dung, Kamala-CAL	8																		
Catchers interference																																																																										
1. Dixon, Monta-STAN	1																																																																									
Sullivan, Co-UCLA	1																																																																									
Steal attempts against																																																																										
1. Shafer, Kayl-OSU	29																																																																									
2. Conley, Zoe-CAL	22																																																																									
3. Smith, Maken-CAL	21																																																																									
4. Hackbarth, M-ASU	18																																																																									
5. Dail, Jordan-ORE	17																																																																									
6. Mazon, Maria-OSU	16																																																																									
7. Faulk, Katie-UTAH	14																																																																									
8. Espalin, Lau-CAL	13																																																																									
9. Bowden, Shay-ORE	12																																																																									
10. Dung, Kamala-CAL	11																																																																									
Halstead, Pa-UCLA	11																																																																									
Stolen bases against																																																																										
1. Shafer, Kayl-OSU	27																																																																									
2. Conley, Zoe-CAL	22																																																																									
3. Smith, Maken-CAL	18																																																																									
4. Mazon, Maria-OSU	15																																																																									
5. Dail, Jordan-ORE	14																																																																									
6. Espalin, Lau-CAL	13																																																																									
7. Hackbarth, M-ASU	12																																																																									
Faulk, Katie-UTAH	12																																																																									
9. Bowden, Shay-ORE	9																																																																									
10. Nelson, Meeh-OSU	8																																																																									
Dung, Kamala-CAL	8																																																																									
<table border="0"> <thead> <tr> <th colspan="2">Caught stealing by</th> </tr> </thead> <tbody> <tr><td>1. Hackbarth, M-ASU</td><td>6</td></tr> <tr><td>2. Mejia, Saman-ASU</td><td>5</td></tr> <tr><td>3. Halstead, Pa-UCLA</td><td>4</td></tr> <tr><td>Azevedo, Hol-UCLA</td><td>4</td></tr> <tr><td>5. Bowden, Shay-ORE</td><td>3</td></tr> <tr><td>Dail, Jordan-ORE</td><td>3</td></tr> <tr><td>Smith, Maken-CAL</td><td>3</td></tr> <tr><td>Dung, Kamala-CAL</td><td>3</td></tr> <tr><td>9. 5 tied at.....</td><td>2</td></tr> </tbody> </table>	Caught stealing by		1. Hackbarth, M-ASU	6	2. Mejia, Saman-ASU	5	3. Halstead, Pa-UCLA	4	Azevedo, Hol-UCLA	4	5. Bowden, Shay-ORE	3	Dail, Jordan-ORE	3	Smith, Maken-CAL	3	Dung, Kamala-CAL	3	9. 5 tied at.....	2	<table border="0"> <thead> <tr> <th colspan="2">Errors</th> </tr> </thead> <tbody> <tr><td>1. Hilburn, Hai-UTAH</td><td>9</td></tr> <tr><td>2. Rader, Maia-OSU</td><td>8</td></tr> <tr><td>Nunes, Missy-OSU</td><td>8</td></tr> <tr><td>Perez, Brian-UCLA</td><td>8</td></tr> <tr><td>Sparacino, K-CAL</td><td>8</td></tr> <tr><td>6. Rood, Lindsa-CAL</td><td>7</td></tr> <tr><td>7. 7 tied at.....</td><td>5</td></tr> </tbody> </table>	Errors		1. Hilburn, Hai-UTAH	9	2. Rader, Maia-OSU	8	Nunes, Missy-OSU	8	Perez, Brian-UCLA	8	Sparacino, K-CAL	8	6. Rood, Lindsa-CAL	7	7. 7 tied at.....	5																																					
Caught stealing by																																																																										
1. Hackbarth, M-ASU	6																																																																									
2. Mejia, Saman-ASU	5																																																																									
3. Halstead, Pa-UCLA	4																																																																									
Azevedo, Hol-UCLA	4																																																																									
5. Bowden, Shay-ORE	3																																																																									
Dail, Jordan-ORE	3																																																																									
Smith, Maken-CAL	3																																																																									
Dung, Kamala-CAL	3																																																																									
9. 5 tied at.....	2																																																																									
Errors																																																																										
1. Hilburn, Hai-UTAH	9																																																																									
2. Rader, Maia-OSU	8																																																																									
Nunes, Missy-OSU	8																																																																									
Perez, Brian-UCLA	8																																																																									
Sparacino, K-CAL	8																																																																									
6. Rood, Lindsa-CAL	7																																																																									
7. 7 tied at.....	5																																																																									



2019 Pac-12 Softball  
Game Highs for Pac-12 (as of May 12, 2019)  
(Pac-12 games only)

TEAM GAME HIGHS

Batting

At bats:	36	-	California (vs Utah, Mar 17, 2019)
	36	-	Utah (vs California, Mar 17, 2019)
Runs scored:	22	-	Arizona (vs Utah, Apr 06, 2019)
Hits:	19	-	Arizona (vs Utah, Apr 06, 2019)
RBIs:	19	-	Arizona (vs Utah, Apr 06, 2019)
Doubles:	6	-	Arizona State (vs Oregon State, Mar 17, 2019)
Triples:	4	-	Utah (vs Oregon, May 05, 2019)
Home runs:	5	-	(6 times )
Total bases:	39	-	Arizona (vs Utah, Apr 06, 2019)
Walks:	11	-	Arizona State (vs Utah, Mar 22, 2019)
Strikeouts:	15	-	Arizona (vs UCLA, May 09, 2019)
Sac hits:	3	-	Oregon (vs Stanford, Mar 31, 2019)
Sac flies:	2	-	(4 times )
Stolen bases:	6	-	Arizona State (vs California, May 03, 2019)
Caught stealing:	2	-	Washington (vs UCLA, Mar 16, 2019)
	2	-	Washington (vs Arizona State, Apr 13, 2019)
Hit by pitch:	5	-	Utah (vs Arizona State, Mar 23, 2019)
Runners LOB:	13	-	UCLA (vs California, Mar 29, 2019)
	13	-	Oregon (vs California, Apr 20, 2019)
Hit into DP:	2	-	(4 times )

Fielding

Putouts:	30	-	Washington (vs Oregon, Mar 23, 2019)
	30	-	Oregon (vs Washington, Mar 23, 2019)
Assists:	17	-	Utah (vs California, Mar 15, 2019)
Errors:	5	-	Oregon State (vs Oregon, Apr 27, 2019)
Passed balls:	2	-	Oregon State (vs Arizona, Mar 24, 2019)
DPs turned:	2	-	(4 times )

Pitching

Innings pitched:	10.0	-	Washington (vs Oregon, Mar 23, 2019)
	10.0	-	Oregon (vs Washington, Mar 23, 2019)
Strikeouts:	15	-	UCLA (vs Arizona, May 09, 2019)
Wild pitches:	5	-	Utah (vs Arizona, Apr 06, 2019)
Hit batters:	5	-	Arizona State (vs Utah, Mar 23, 2019)

2019 Pac-12 Softball  
Game Highs for Pac-12 (as of May 12, 2019)  
(Pac-12 games only)

GAME HIGHS (BOTH TEAMS)

Batting

At bats:	72	-	California vs Utah (Mar 17, 2019)
Runs scored:	35	-	Utah vs Arizona State (Mar 23, 2019)
Hits:	32	-	Utah vs Arizona State (Mar 23, 2019)
RBIs:	34	-	Utah vs Arizona State (Mar 23, 2019)
Doubles:	8	-	Oregon vs Utah (May 04, 2019)
	8	-	Oregon State vs Arizona State (Mar 17, 2019)
Triples:	4	-	Oregon vs Utah (May 05, 2019)
Home runs:	10	-	Utah vs Arizona State (Mar 23, 2019)
Total bases:	69	-	Utah vs Arizona State (Mar 23, 2019)
Walks:	15	-	Utah vs Arizona State (Mar 23, 2019)
Strikeouts:	22	-	UCLA vs Washington (Mar 16, 2019)
	22	-	Oregon vs UCLA (Apr 12, 2019)
Sac hits:	4	-	Oregon vs Stanford (Mar 31, 2019)
Sac flies:	2	-	(5 times )
Stolen bases:	6	-	California vs Arizona State (May 03, 2019)
	6	-	Oregon State vs Oregon (Apr 27, 2019)
	6	-	Oregon State vs Arizona State (Mar 17, 2019)
Caught stealing:	2	-	(5 times )
Hit by pitch:	7	-	Utah vs Arizona State (Mar 23, 2019)
Runners LOB:	21	-	Oregon State vs Oregon (Apr 27, 2019)
	21	-	California vs Oregon (Apr 20, 2019)
Hit into DP:	3	-	Utah vs Oregon State (May 11, 2019)

Fielding

Putouts:	60	-	Washington vs Oregon (Mar 23, 2019)
Assists:	27	-	California vs Utah (Mar 15, 2019)
Errors:	8	-	Oregon State vs Oregon (Apr 27, 2019)
Passed balls:	2	-	Arizona vs Oregon State (Mar 24, 2019)
	2	-	Arizona vs Oregon State (Mar 23, 2019)
DPs turned:	3	-	Utah vs Oregon State (May 11, 2019)

Pitching

Innings pitched:	20.0	-	Washington vs Oregon (Mar 23, 2019)
Runs allowed:	1	-	California vs UCLA (Mar 30, 2019)
	1	-	Arizona vs California (Apr 27, 2019)
	1	-	California vs Oregon (Apr 18, 2019)
Walks allowed:	1	-	(4 times )
Strikeouts:	22	-	Oregon vs UCLA (Apr 12, 2019)
	22	-	UCLA vs Washington (Mar 16, 2019)
Hits allowed:	5	-	Arizona vs California (Apr 27, 2019)
	5	-	Arizona vs Oregon State (Mar 24, 2019)
Wild pitches:	5	-	Arizona vs Utah (Apr 06, 2019)
Hit batters:	7	-	Utah vs Arizona State (Mar 23, 2019)

2019 Pac-12 Softball  
Game Highs for Pac-12 (as of May 12, 2019)  
(Pac-12 games only)

INDIVIDUAL GAME HIGHS

Batting

At bats:	6	-	Dickman, All, Utah (vs Arizona State, Mar 23, 2019)
Runs scored:	4	-	Bates, Sis, Washington (vs Utah, Apr 18, 2019)
	4	-	Palomino, Al, Arizona (vs Oregon State, Mar 23, 2019)
	4	-	Harper, Jess, Arizona (vs Utah, Apr 06, 2019)
Hits:	4	-	(12 times )
RBIs:	6	-	(4 times )
Doubles:	2	-	(18 times )
Triples:	1	-	(36 times )
Home runs:	3	-	Hackbarth, M, Arizona State (vs Utah, Mar 23, 2019)
Total bases:	12	-	Hackbarth, M, Arizona State (vs Utah, Mar 23, 2019)
Walks:	4	-	Sullivan, Co, UCLA (vs Arizona State, Apr 06, 2019)
	4	-	Flores, Morg, Washington (vs Oregon, Mar 23, 2019)
Strikeouts:	4	-	Jordan, Aali, UCLA (vs Oregon, Apr 12, 2019)
Sac hits:	2	-	(4 times )
Sac flies:	1	-	(42 times )
Stolen bases:	3	-	Rood, Lindsa, California (vs Oregon State, Apr 14, 2019)
	3	-	Howe, Morgan, Arizona State (vs California, May 03, 2019)
Caught stealing:	1	-	(26 times )
Hit by pitch:	2	-	(5 times )
Runners LOB:	5	-	(9 times )

Fielding

Putouts:	16	-	Flores, Morg, Washington (vs Oregon, Mar 23, 2019)
Assists:	7	-	(4 times )
Errors:	2	-	(17 times )
Passed balls:	2	-	Shafer, Kayl, Oregon State (vs Arizona, Mar 24, 2019)

Pitching

Innings pitched:	9.0	-	Dung, Kamala, California (vs Arizona, Apr 27, 2019)
Strikeouts:	15	-	Garcia, UCLA (vs Arizona, May 09, 2019)
Wild pitches:	4	-	Feldman, Cla, Utah (vs Arizona, Apr 06, 2019)
Hit batters:	3	-	Dail, Jordan, Oregon (vs Utah, May 03, 2019)
	3	-	Andersen, Ab, Arizona State (vs Utah, Mar 23, 2019)
	3	-	Dail, Jordan, Oregon (vs Oregon State, Apr 27, 2019)